

*Town of Herndon, Virginia*

# Typical Deck Details

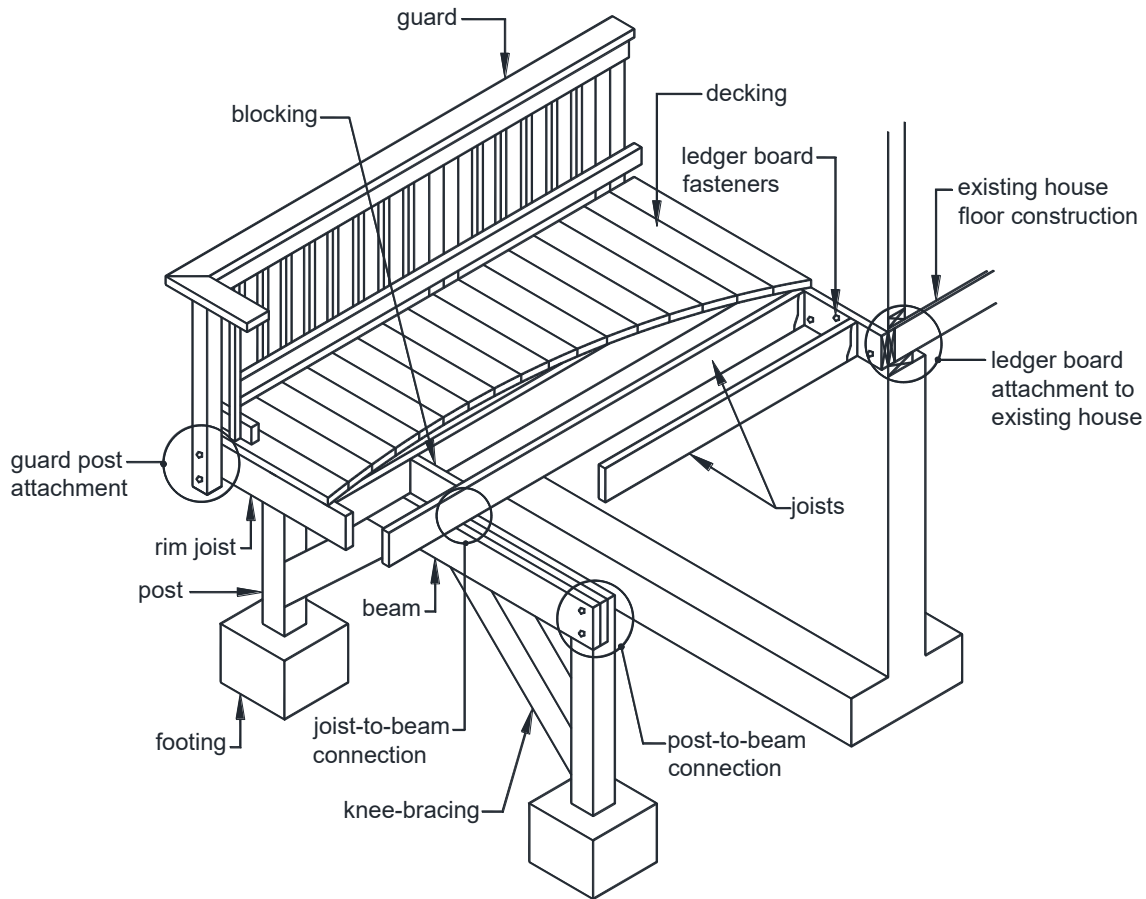
Based on the 2021 Virginia Residential Code



**The design details in this document apply to residential, single-level decks only.**

# Town of Herndon, Virginia Typical Deck Details

## CONTENTS



<p><b>Section 1 ■ General Notes</b>.....3</p> <p style="padding-left: 20px;">Design Considerations .....3</p> <p style="padding-left: 20px;">Material Specifications .....3</p> <p><b>Section 2 ■ Deck Surface</b> .....5</p> <p style="padding-left: 20px;">Decking .....5</p> <p style="padding-left: 20px;">Using Hidden Decking Fasteners.....5</p> <p style="padding-left: 20px;">Safety Glazing.....7</p> <p style="padding-left: 20px;">Electrical .....7</p> <p><b>Section 3 ■ Joists</b>.....8</p> <p style="padding-left: 20px;">Joist Size .....8</p> <p style="padding-left: 20px;">Joist Framing at Projections.....10</p> <p style="padding-left: 20px;">Joist Hangers.....10</p> <p style="padding-left: 20px;">Joist-to-Beam Connection.....10</p> <p><b>Section 4 ■ Beams</b>.....12</p> <p style="padding-left: 20px;">Beam Size .....12</p> <p style="padding-left: 20px;">Beam Assembly .....13</p> <p><b>Section 5 ■ Footings &amp; Posts</b> .....14</p> <p style="padding-left: 20px;">Footing Size .....14</p>	<p style="padding-left: 20px;">Post-to-Footing Connection..... 15</p> <p style="padding-left: 20px;">Post Size &amp; Maximum Height..... 15</p> <p style="padding-left: 20px;">Beam-to-Post Connection..... 15</p> <p><b>Section 6 ■ Ledger Attachment</b> ..... 17</p> <p style="padding-left: 20px;">General Requirements ..... 17</p> <p style="padding-left: 20px;">Ledger Board Fasteners..... 19</p> <p><b>Section 7 ■ Lateral Support</b> ..... 22</p> <p style="padding-left: 20px;">Bracing Methods ..... 22</p> <p style="padding-left: 20px;">Bracing-to-Framing Connection..... 24</p> <p><b>Section 8 ■ Guards</b>..... 25</p> <p style="padding-left: 20px;">Guard Construction ..... 25</p> <p style="padding-left: 20px;">Guard Post Connections ..... 26</p> <p><b>Section 9 ■ Stairs</b>..... 27</p> <p style="padding-left: 20px;">Stair Geometry..... 27</p> <p style="padding-left: 20px;">Stair Landing ..... 27</p> <p style="padding-left: 20px;">Stair Construction..... 27</p> <p><b>Section 10 ■ Complete My Deck</b>..... 31</p> <p style="padding-left: 20px;">Inspections..... 33</p>
--	---

# I - General Notes

These typical deck details are provided to ensure design and construction of decks in Town of Herndon is consistent and code compliant. Prior to designing your deck, read this publication thoroughly and pay close attention to each applicable detail. Once you have selected the size of your deck, use the joist and beam span tables to determine their size, spacing, span lengths and overhang dimensions. Use the remaining details to guide you in determining the other design elements of your deck. Ensure you record your deck design on Page 31.

If you have questions, please contact the town at **703-435-6850**, or via email at [buildinginspections@herndon-va.gov](mailto:buildinginspections@herndon-va.gov). For information regarding permit application, zoning setbacks and inspection requirements go to [herndon-va.gov](http://herndon-va.gov)

## DESIGN CONSIDERATIONS

1. These details are based on the prescriptive requirements of the 2021 Virginia Residential Code, industry best-practices and applicable referenced standards such as the National Design Specification for Wood Construction.
2. Framing members in these details are designed for a 40 PSF live load, 10 PSF dead load, normal loading duration, wet service conditions and deflections of  $\ell/360$  for main spans and  $\ell/180$  for overhangs with a 220-pound point load.
3. The use of these details to design and construct multi-level decks that share posts and footings is prohibited.
4. Deviation from these details requires approval by county staff prior to construction.
5. Decks constructed in accordance with these details are not approved for privacy screens, planters, built-in seating, surface mounted guardrail posts or hot tubs.
6. Decks must be designed to ensure rain and melting ice and snow flow away from the existing house.

## MATERIAL SPECIFICATIONS

1. Lumber shall be preservative-treated, southern pine, grade #2 or better. Lumber not native to North America, such as Ipe, may be used as decking only; its use in guards is prohibited.
2. Lumber in contact with the ground shall be rated as “ground-contact.” Lumber that is underground or in direct contact with the earth shall be rated UC4A. Not all treated lumber is rated for ground contact.
3. Concrete in footings shall have a minimum compressive strength of 3,000 PSI.
4. Nails shall be threaded, ring-shanked or annular grooved. A 1/8-inch pilot hole shall be used at toenailing locations.
5. Carriage-bolts may be substituted where through-bolts are specified provided torque washers are installed at the bolt head.
6. Fasteners shall be hot-dipped galvanized, stainless steel or approved for use with preservative-treated lumber.
7. Hardware and mechanical connectors, e.g., joist hangers or post anchors, shall be stainless steel or galvanized with 1.85 ounces of zinc per square

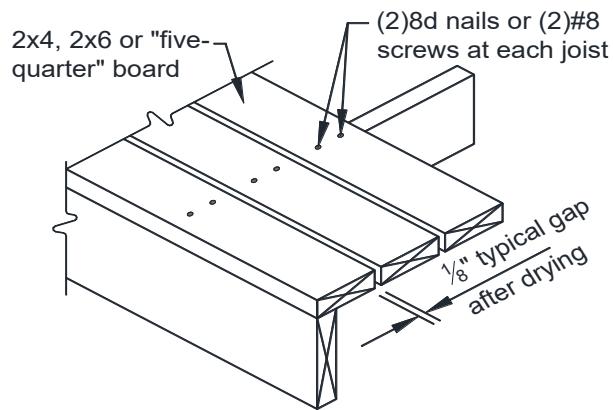
8. foot (G-185 coating). Look for product lines such as “Zmax,” “Triple Zinc” or “Gold Coat.”
9. Flashing at ledger board connections (see Page 17) shall be copper (with copper nails only), stainless steel, UV resistant plastic or galvanized steel with a G-185 coating.
10. Plastic composites are materials composed of bound wood and plastic fibers. Permissible as noted in this document, plastic composites must bear a label indicating their compliance with ASTM D 7032 and have a flame spread not to exceed 200. Plastic composite’s label and installation instructions must be available to the inspector.
11. When using plastic composites, exercise caution as some members do not have the same capacity as their wood equivalents.
12. PVC decking and guards are permitted provided they have a valid evaluation report from an accredited listing agency such as the International Code Council – Evaluation Service. The installation shall be in conformance with the report and the manufacturer's instructions, which must be available to the inspector.
13. The use of other materials and products, other than those permitted herein, shall be approved by the county prior to installation.

# 2 • Deck Surface

## DECKING

### Decking shall be per

- TABLE 1 and placed perpendicularly or at an angle up to 45 degrees to the joists.
- Wood decking shall be attached per FIGURE 1. If installed wet, place decking with no gap so after drying a 1/8-inch gap is created. The use of hidden fasteners and similar attachment devices are permitted only if supplemental bracing is installed beneath the joists – see the next page.
- Each decking member shall bear on a minimum of three joists or blocking between joists.
- Placement and attachment of plastic composites shall be per manufacturer’s instructions.



**FIGURE 1: TYPICAL DECKING**

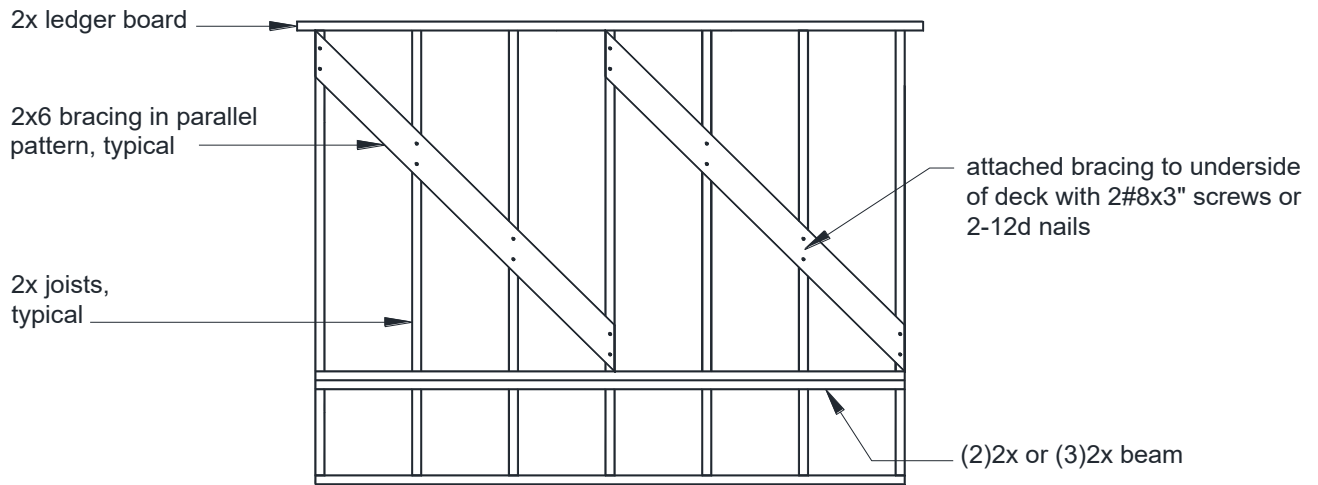
**TABLE 1: DECKING REQUIREMENTS AND MAXIMUM JOIST SPACING**

Material Type and Nominal Size	Maximum Joist Spacing (inches)	
	Angular	Perpendicular
Wood “five-quarter” board	12	16
Wood 2x4 or 2x6	16	24
Plastic composites, PVC	per manufacturer	per manufacturer

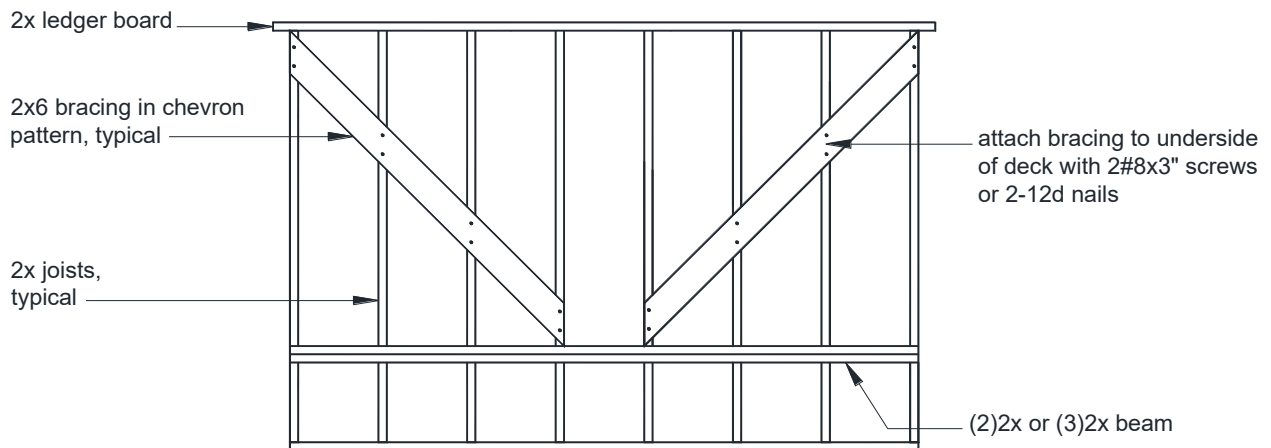
## USING HIDDEN DECKING FASTENERS

For decks with grip-type or side-mounted hidden fasteners for decking-to-joist connections and with any post height greater than 2.5 feet (measured from the top of the footing to the underside of the supporting beam), install 2x6 bracing to the underside of the deck joists per the requirements below.

- Bracing shall be installed at an angle between 45 and 60 degrees to the ledger/beam(s) above.
- Place bracing in a parallel pattern per FIGURE 2 or in a chevron pattern per FIGURE 3.
- Bracing shall be continuous with no splices.
- A bracing member shall be attached to all deck joists.
- Bracing shall span between the ledger board and next adjacent beam and between adjacent beams for multi-span or freestanding decks. Bracing is not required on cantilevers.
- Attach bracing to each intersecting joist with 2#8 x 3-inch screws or 2-12d nails.
- Per FIGURE 3, bracing shall not attach to the same joist at the point of the chevron.



**FIGURE 2: HORIZONTAL BRACING IN A PARALLEL PATTERN**



**FIGURE 3: HORIZONTAL BRACING IN A CHEVRON PATTERN**

## SAFETY GLAZING

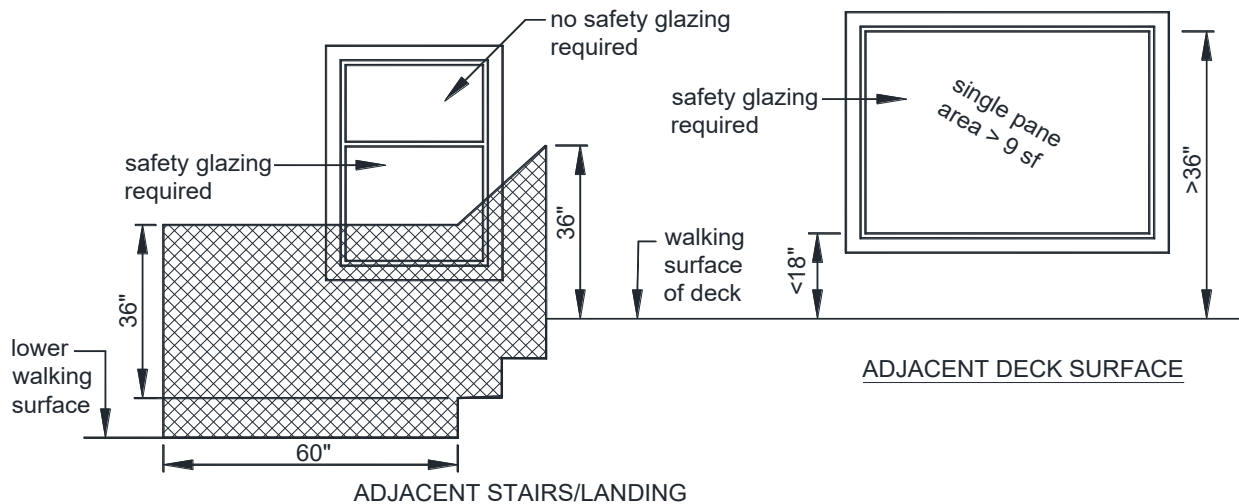
To reduce injury due to an accidental impact, safety glazing in window glass is required when the existing house wall encloses any portion of the deck surface or acts as a barrier to stairs, landings, and areas at the top and bottom of the stairs.

**Windows adjacent to the deck surface.** As shown in FIGURE 4, single panes of glass meeting all the requirements listed below must be safety glazed.

- Glass area is greater than 9 square feet,
- The bottom edge of the pane is less than 18 inches above the walking surface of the deck, and
- The top edge of the pane is greater than 36 inches above the walking surface of the deck.

In the absence of safety glazing, a horizontal rail across the window must be installed. The rail must meet the requirements of a stair handrail per Page 29.

**Windows adjacent stairways and landings.** Single panes, partially or wholly located in the hatched area shown in FIGURE 4, must be safety glazed. In the absence of safety glazing, a stair guard per Page 29 or handrail per Page 29, must be constructed to separate the window from the stairway.



**FIGURE 4: SAFETY GLAZING REQUIREMENTS**

## ELECTRICAL

**Receptacles.** Decks shall have a minimum of one electrical receptacle along the perimeter of the deck and within 6.5 feet of the floor.

**Stair lighting.** Each stairway section shall have a light source that illuminates all stairs and landings. Lights shall be operated from interior switches, motion detectors or timed switches. Lighting shall be automatically shut off when daylight is present and satisfies the lightning needs. Low voltage lighting at each stair tread is permissible.

# 3 - Joists

- Joists are repetitively placed framing members spaced at 12, 16 or 24 inches on center which are supported at each end by a beam or ledger board.
- Single span decks are framed with joists that have one span between supports (not including overhang) as shown in FIGURES 5 and 6. Multi-span decks have joists with more than one span which bear on multiple beams as shown in FIGURES 7 and 8.
- At the house connection, joists bear on the attached ledger board. Joists on a free-standing deck do not connect to the house; instead bearing is provided by an additional beam located at or near the house wall as shown in FIGURE 9.

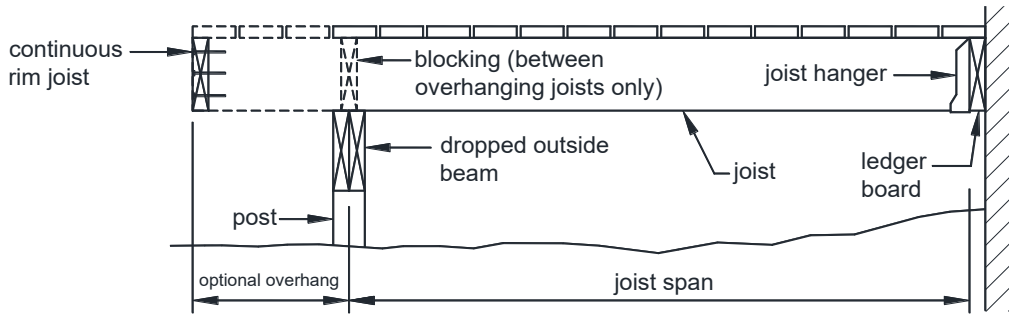
## JOIST SIZE

- Joist span length is measured from the ledger board to the centerline of the supporting beam or between the centerlines of the supporting beams at each end.
- Joists are permitted to overhang past a dropped beam; joist span length does not include overhangs.
- The joists' design is based on spacing, size, and span length. Use TABLE 2 to determine joist size and the corresponding maximum allowable overhang. **Note: the overhang dimension shall never exceed one-fourth of the actual joist span.**
- Provide 2x blocking a minimum of 60% of the joist height between overhanging joists above beam locations. Exception: blocking may be omitted if the overhang is less than or equal to 2 feet.
- Where blocking between joists is required, attach blocking using joist hangers at each end or by toenailing blocking to joists at each end, top and bottom with 10d nails.
- Attach a continuous rim joist or blocking at the joist ends as shown in FIGURES 5, 7 and 9. Attach a rim joist to the end of each joist with (3)10d nails or (3) #10 by 3-inch wood screws.
- When choosing 2x6 joists, the corresponding ledger board must be a 2x8 minimum. See Page 17 for more information.
- Guards cannot be attached to decks framed with 2x6 joists. See Page 26 for more information.

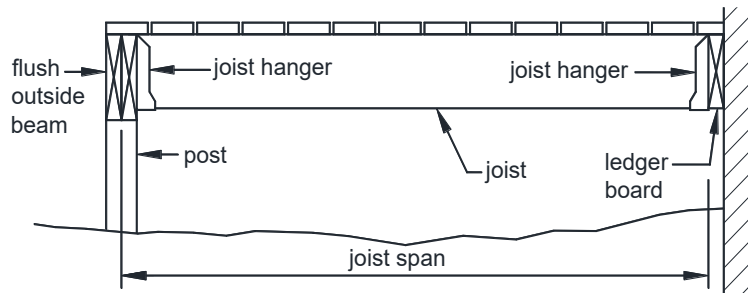
**TABLE 2: MAXIMUM JOIST SPAN LENGTH**

Joist Size	Allowable Joist Span			Allowable Overhang <sup>1</sup>							
	Joist Spacing			Joist Span							
	12"	16"	24"	4'	6'	8'	10'	12'	14'	16'	18'
2x6	9'-11"	9'-0"	7'-7"	1'-0"	1'-6"	1'-5"	NP	NP	NP	NP	NP
2x8	13'-1"	11'-10"	9'-8"	1'-0"	1'-6"	2'-0"	2'-6"	2'-3"	NP	NP	NP
2x10	16'-2"	14'-0"	11'-5"	1'-0"	1'-6"	2'-0"	2'-6"	3'-0"	3'-4"	3'-4"	NP
2x12	18'-0"	16'-6"	13'-6"	1'-0"	1'-6"	2'-0"	2'-6"	3'-0"	3'-6"	4'-0"	4'-1"

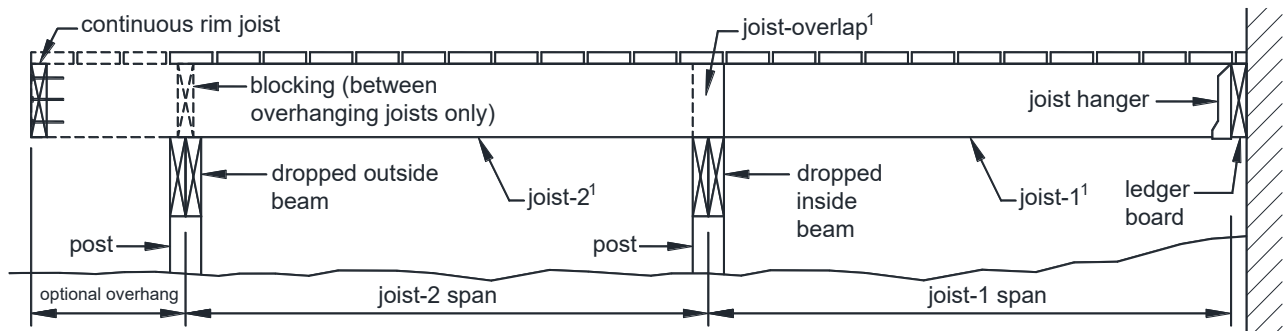
<sup>1</sup> Overhang dimension shall not exceed one-fourth of the actual joist span.



**FIGURE 5: SINGLE SPAN DECK - JOISTS ATTACHED AT HOUSE WITH DROPPED BEAM**

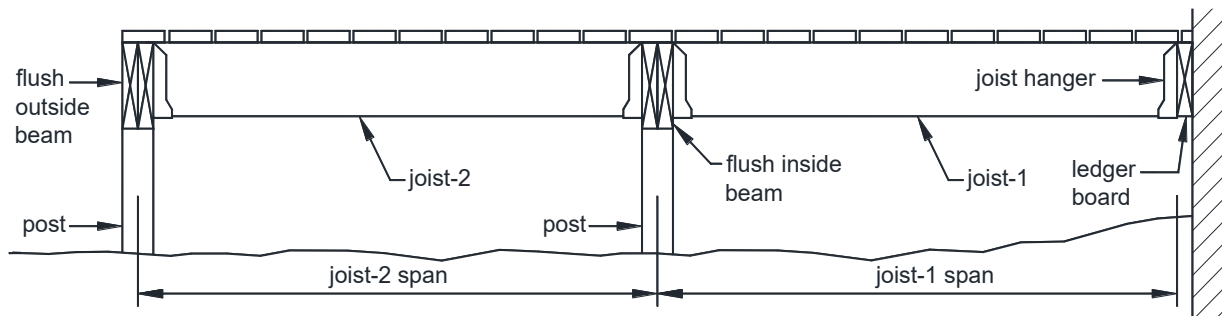


**FIGURE 6: SINGLE SPAN DECK - JOISTS ATTACHED AT HOUSE WITH FLUSH BEAM**

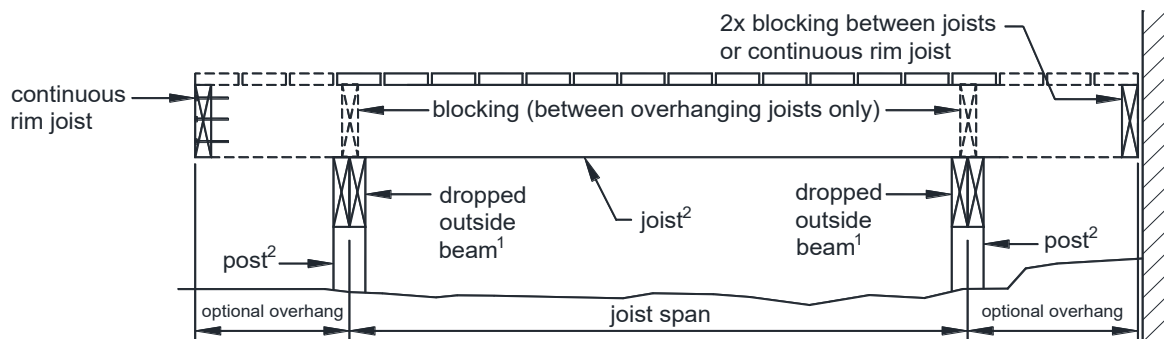


<sup>1</sup> One continuous joist is permitted to span over the top of the inside dropped beam with no overlap.

**FIGURE 7: MULTI-SPAN DECK - JOISTS WITH DROPPED BEAMS**



**FIGURE 8: MULTI-SPAN DECK - JOISTS WITH FLUSH BEAMS**



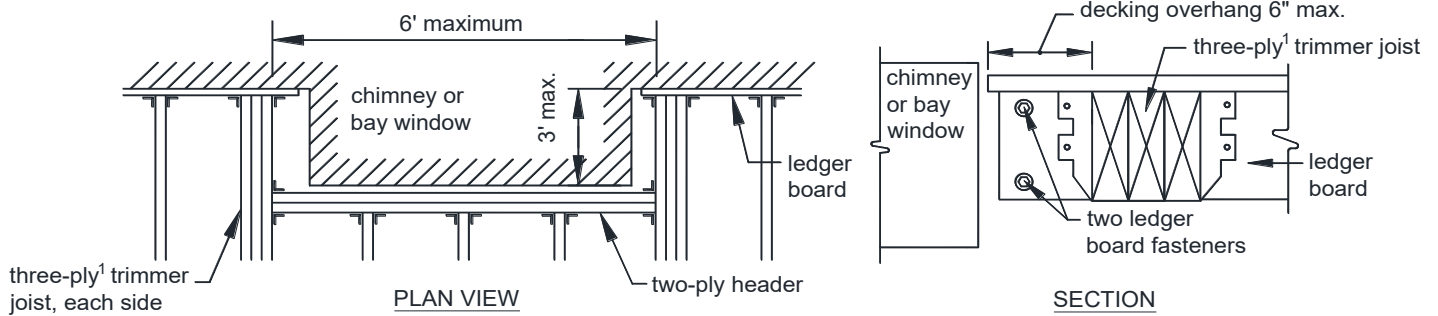
<sup>1</sup> Flush beams are permitted with freestanding decks when joists do not overhang.

<sup>2</sup> Align joists to be located at post locations in order to accommodate lateral bracing per FIGURE 31.

**FIGURE 9: JOISTS WITH FREESTANDING DECKS**

## FRAMING AT PROJECTIONS

Additional framing and ledger board fasteners per Section 6 on Page 19 are required at projections such as chimneys or bay windows as shown in FIGURE 10. Each ply of the header shall be equal to the deck joist size. Joist hangers shall meet the requirements below.

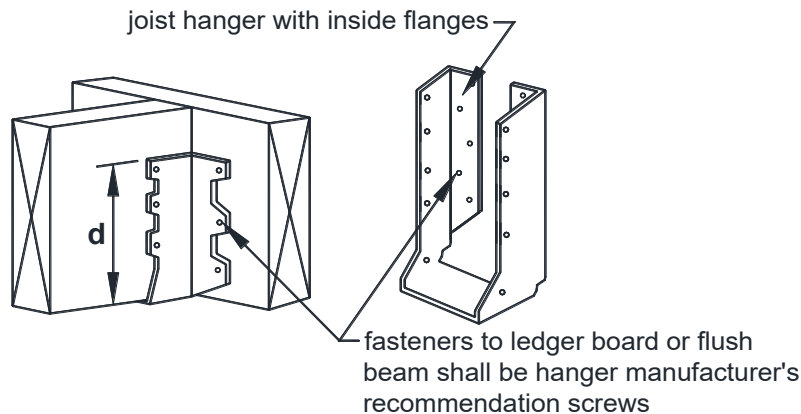


<sup>1</sup> May be reduced to two-ply trimmer joist if joist spacing equals 24 inches on center or joist span is less than or equal to 8.5 feet.

**FIGURE 10: FRAMING AT CHIMNEY OR BAY WINDOW**

## JOIST HANGERS

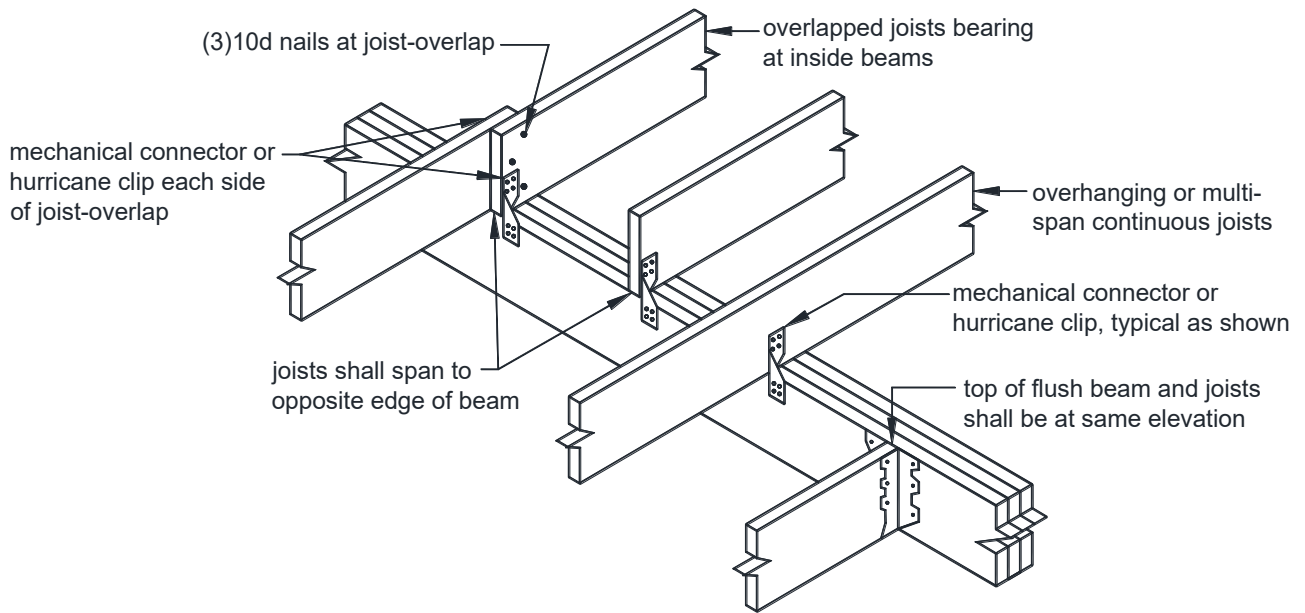
- Joist hanger depth, **d**, as shown in FIGURE 11, shall be greater than or equal to 60 percent of the joist depth.
- The manufactured width of the joist hanger shall accommodate the number of plies being carried.
- Do not bend hanger flanges to accommodate field conditions.
- Joist hangers shall be fastened to the ledger board or flush beam using its manufacturer's recommended screws. All other fasteners are permitted to be nails.
- Use joist hangers with inside flanges when clearances to the edge of the beam or ledger board dictate.
- **Clip angles or brackets used to support framing members in lieu of joist hangers are prohibited.**



**FIGURE 11: JOIST HANGERS**

## JOIST-TO-BEAM CONNECTION

- Each joist shall be attached to the beam in accordance with FIGURE 12.
- Mechanical connectors or hurricane clips shall have a minimum capacity of 100 pounds in both uplift and lateral directions. Installation shall be per manufacturer's instructions.
- As shown in FIGURE 12, multi-span joists are permitted to span continuously over a dropped interior beam with one mechanical connector or overlap with a mechanical connector at each joist.



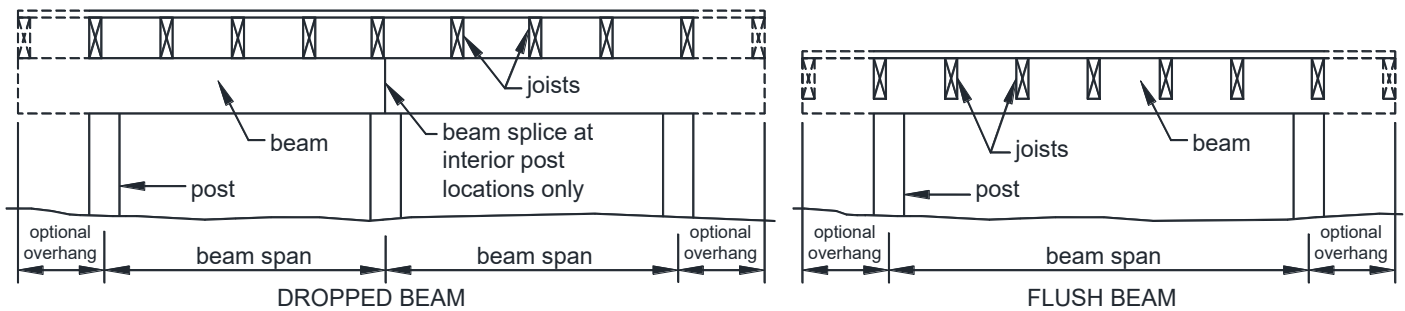
**FIGURE 12: JOIST-TO-BEAM CONNECTION**

# 4 • Beams

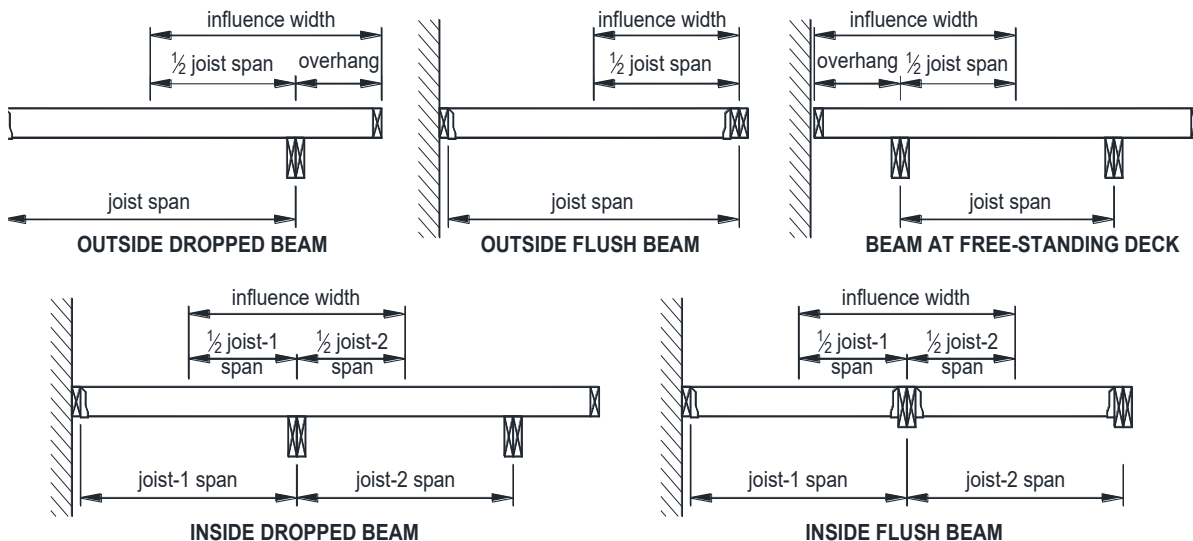
- Beams are assembled, multi-ply framing members which span between supporting posts. Multi-span decks have more than one beam; spacing between beams is dependent on the allowable span lengths of the supported joists.
- Inside beams have joists bearing from each side. Outside beams have joists, with or without an overhang, bearing from one side.
- Dropped beams have joists bearing above; flush beams have joists with hangers bearing on its sides; see FIGURES 5 through 9 and FIGURE 13.
- Multi-span decks are permitted to mix flush and dropped beams.

## BEAM SIZE

- Beam size is based on its influence width and longest span length per TABLE 3. Beam influence width, as shown in FIGURE 14, is based on supported joists' span lengths and overhang dimensions.
- Beam span length, as shown in FIGURE 13, is measured between the centerlines of two adjacent posts and does not include the beam overhangs.
- Beams may overhang past the center of the post up to one-fourth of the actual beam span.
- Flush beams shall have a depth greater than or equal to the deepest joist.



**FIGURE 13: BEAM TYPES**



**FIGURE 14: BEAM INFLUENCE WIDTH**

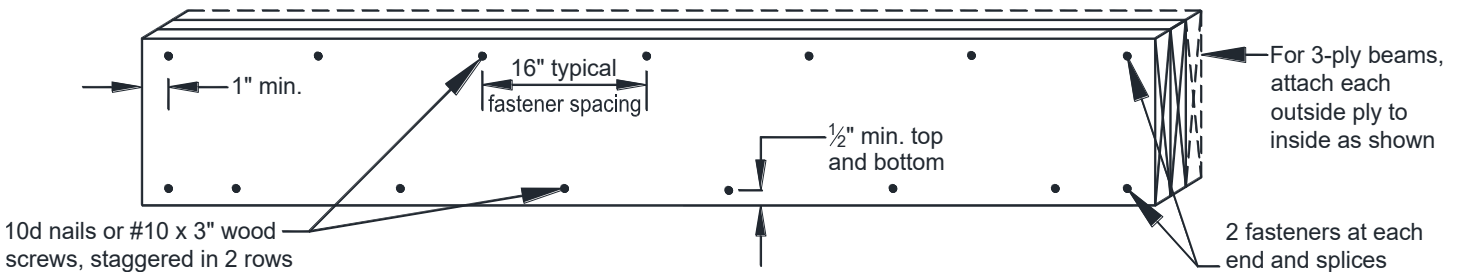
**TABLE 3: MINIMUM BEAM SIZE <sup>1</sup>**

Beam Influence Width (ft) less than or equal to:	Longest Beam Span Length (feet), less than or equal to:						
	6	8	10	12	14	16	18
2	(2)2x6	(2)2x6	(2)2x8, (3)2x6	(2)2x8	(2)2x10, (3)2x8	(2)2x12	(3)2x10
3	(2)2x6	(2)2x6	(2)2x8	(2)2x10, (3)2x8	(2)2x12, (3)2x10	(3)2x10	(3)2x12
4	(2)2x6	(2)2x8, (3)2x6	(2)2x10, (3)2x8	(2)2x12, (3)2x10	(3)2x10	(3)2x12	
5	(2)2x6	(2)2x8, (3)2x6	(2)2x12, (3)2x8	(3)2x10	(3)2x12		
6	(2)2x8, (3)2x6	(2)2x10, (3)2x8	(2)2x12, (3)2x10	(3)2x12			
7	(2)2x8, (3)2x6	(2)2x10, (3)2x8	(3)2x10	(3)2x12			
8	(2)2x8, (3)2x6	(2)2x12, (3)2x8	(3)2x12				
9	(2)2x10, (3)2x6	(2)2x12, (3)2x10	(3)2x12				
10	(2)2x10, (3)2x8	(3)2x10	(3)2x12				
11	(2)2x10, (3)2x8	(3)2x10					
12	(2)2x10, (3)2x8	(3)2x10					
13	(2)2x12, (3)2x8	(3)2x12					
14	(2)2x12, (3)2x8	(3)2x12					
15	(2)2x12, (3)2x8	(3)2x12					
16	(2)2x12, (3)2x10	(3)2x12					
17	(2)2x12, (3)2x10	(3)2x12					
18	(3)2x10						

<sup>1</sup> Design conditions which fall within the shaded cells are prohibited.

**BEAM ASSEMBLY**

- The plies of the beam shall be fastened in accordance with FIGURE 15.
- The distance from the centerline of the fastener to the top or bottom edge of the beam shall be ½-inch minimum.
- The distance from the centerline of the fastener to the ends of the beam shall be 1-inch minimum.
- Beam plies are permitted to have splices. However, splices shall be located at inside post connections as shown in FIGURE 13.



**FIGURE 15: BEAM PLY FASTENING**

# 5 - Footings & Posts

## FOOTING SIZE

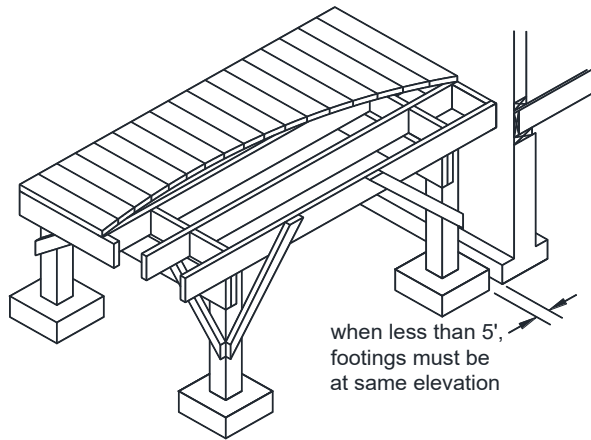
Footing size is found by using TABLE 4 to obtain the footing type based on the beam influence width and the longest beam span length and TABLE 5 to determine the minimum footing dimensions.

- Footing sizes shall be consistent for each beam and designed for its maximum span.
- Footings shall bear on solid ground 24 inches below grade; footings shall be deeper if solid ground is not found. Bearing conditions must be verified by county inspectors prior to placement of concrete.
- When the edge of a deck footing is closer than 5 feet to an existing exterior house wall, the footing must bear at the same elevation as the existing house footings as shown in FIGURE 16.
- Do not construct footings over utility lines or service pipe. Call Miss Utility at 811, TTY 711 before you dig.

**TABLE 4: FOOTING TYPE<sup>1</sup>**

Beam Influence Width (ft) less than or equal to:	Longest Beam Span Length (feet), less than or equal to:													
	6		8		10		12		14		16		18	
	Footing Type	Max. Post Ht.	Footing Type	Max. Post Ht.	Footing Type	Max. Post Ht.	Footing Type	Max. Post Ht.	Footing Type	Max. Post Ht.	Footing Type	Max. Post Ht.	Footing Type	Max. Post Ht.
2	A	14	A	14	A	14	A	14	A	14	B	14	B	14
3	A	14	A	14	B	14	B	14	B	14	B	14	C	14
4	A	14	B	14	B	14	B	14	C	14	D	14		
5	B	14	B	14	C	14	D	14	E	14				
6	B	14	B	14	D	14	E	14						
7	B	14	C	14	E	14	E	13						
8	B	14	C	14	E	13								
9	C	14	D	14	E	12								
10	D	14	E	13	F	11								
11	D	14	E	13										
12	E	14	F	12										
13	E	14	F	11										
14	E	13	F	10										
15	F	12	G	9										
16	F	12	H	9										
17	G	11	H	9										
18	G	11												

<sup>1</sup> Design conditions which fall within the shaded cells are prohibited.



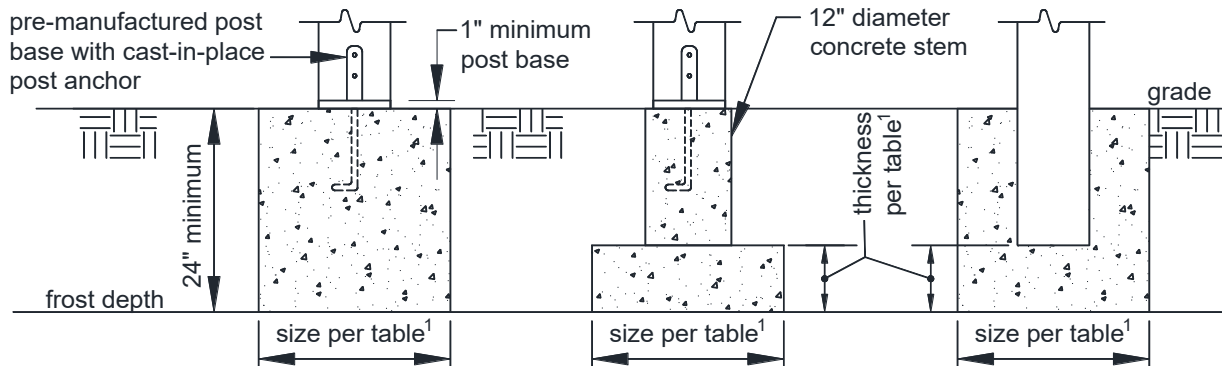
**FIGURE 16: FOOTINGS ADJACENT EXISTING HOUSE**

**TABLE 5: FOOTING SIZE**

Type	Sides of Square (inches)	Diameter of Round (inches)	Thickness (inches)
A	12	14	6
B	14	16	6
C	16	18	6
D	18	20	6
E	20	22	8
F	22	24	8
G	24	27	9
H	26	29	10

### POST-TO-FOOTING CONNECTION

- Post attachment requirements shall be in accordance with FIGURE 17.
- Post anchors shall have a 1-inch minimum base.
- Posts shall be centered on the footing.



<sup>1</sup> See TABLE 5 for footing dimensions.

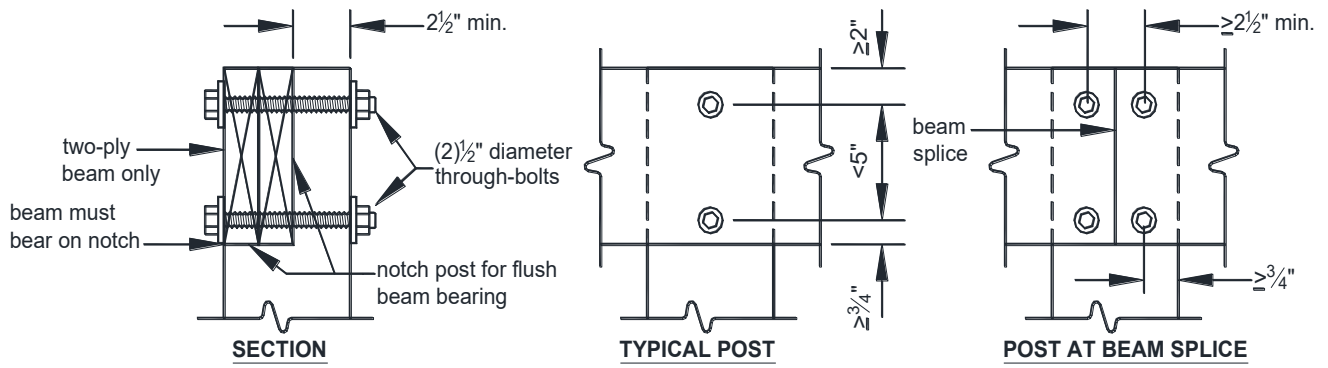
**FIGURE 17: FOOTINGS**

### POST SIZE & MAXIMUM HEIGHT

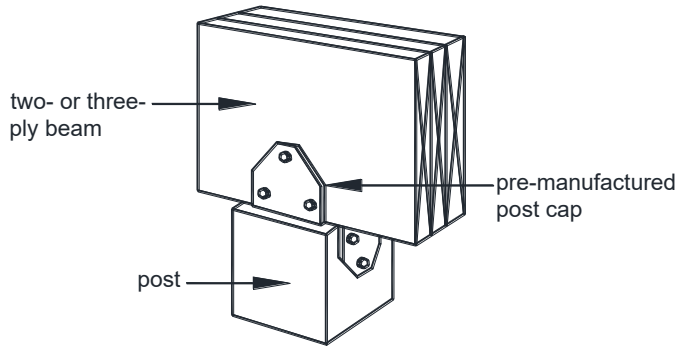
- Post size shall be 6x6 with a maximum height based on the corresponding beam influence width and longest beam span length in accordance with TABLE 4. Posts with a height less than or equal to 2.5 feet are permitted to be 4x4.
- Post height is measured from the top of the footing to the underside of the beam.
- The cut ends of posts shall be field treated with a wood preservative containing copper naphthenate which can be found in the paint department of most hardware or home center stores.

### BEAM-TO-POST CONNECTION

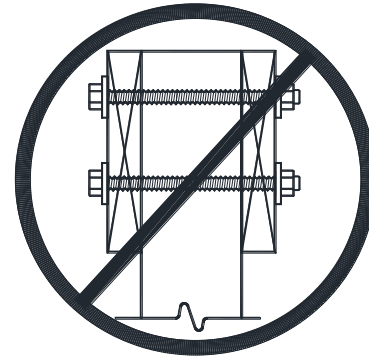
- Beams shall be attached to 6x6 posts using one of the methods shown in FIGURE 18 or 19. Beams shall be attached to 4x4 posts using the method shown in FIGURE 19.
- 4x4 posts are prohibited from supporting three-ply beams.
- Beams shall not be attached to the sides of an unnotched post as shown in FIGURE 20.
- Pre-manufactured post caps shall be specifically designed for two- or three-ply beams and the post size used. Attachment shall be per manufacturer's instructions.



**FIGURE 18: NOTCHED 6x6 POST-TO-BEAM CONNECTION**



**FIGURE 19: POST CAP CONNECTION**



**FIGURE 20: PROHIBITED CONNECTION**

# 6 ▪ Ledger Board Attachment

## GENERAL REQUIREMENTS

- Ledger boards shall be attached to the existing house in accordance with the requirements herein. Compliance is critical to ensure the safety and structural stability of your deck.
- Ledger board depth shall be greater than or equal to the depth of the deck joists, but not less than a 2x8.
- The ledger board shall be attached in accordance with one of the conditions shown in FIGURES 22 through 24.
- The existing band board shall be capable of supporting the deck. If this cannot be verified or existing conditions differ from the details herein, then a free-standing deck or an engineered design is required.
- The top of the ledger board and top of the deck joists shall be at the same elevation.

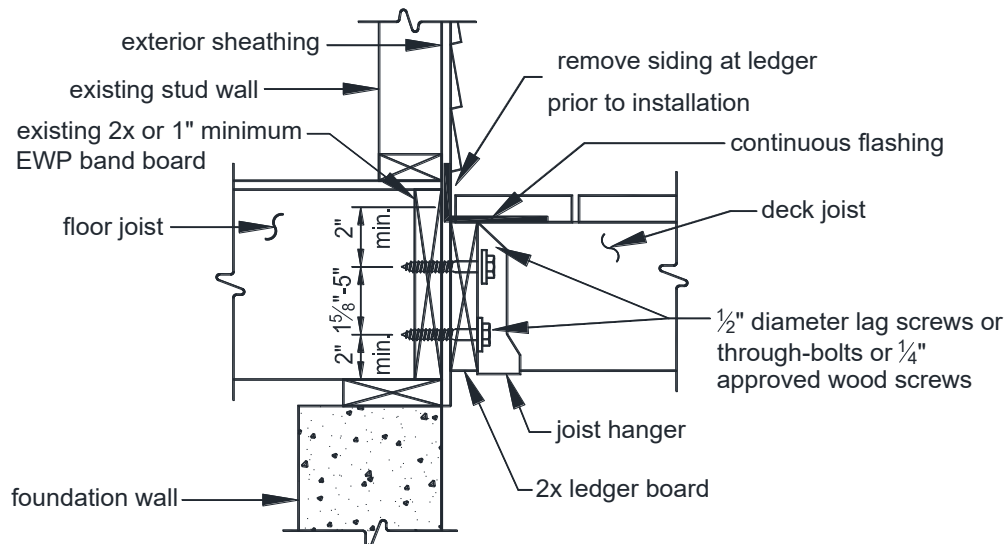
**Wood I-joists.** Many homes are constructed with wood I-joists, as shown in FIGURE 21. Rather than utilize a 2x band board, these systems are often constructed with a minimum 1-inch-thick engineered wood product (EWP) band board capable of supporting a deck. If a minimum 1-inch EWP or 2x band board is not present, then a free-standing deck or an engineered design is required.



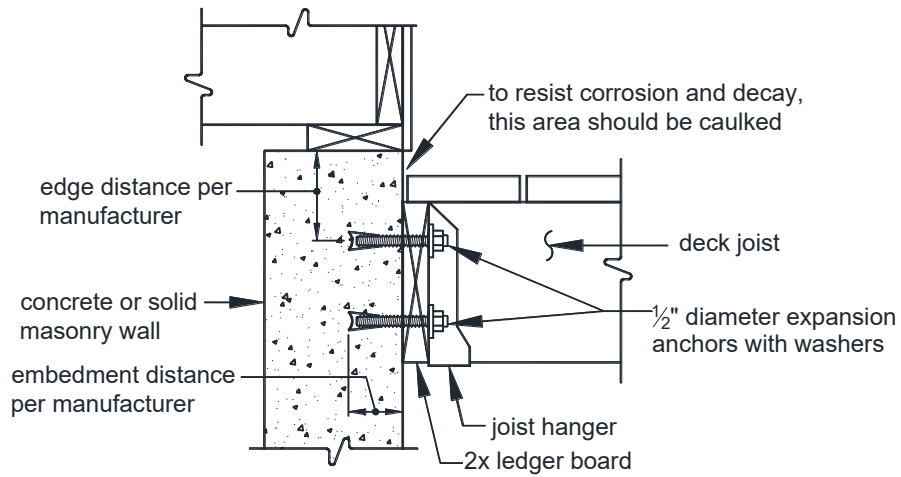
**FIGURE 21: WOOD I-JOISTS**

**Flashing.** Flashing shall be installed in accordance with the following requirements. See Page 3 for flashing material specifications.

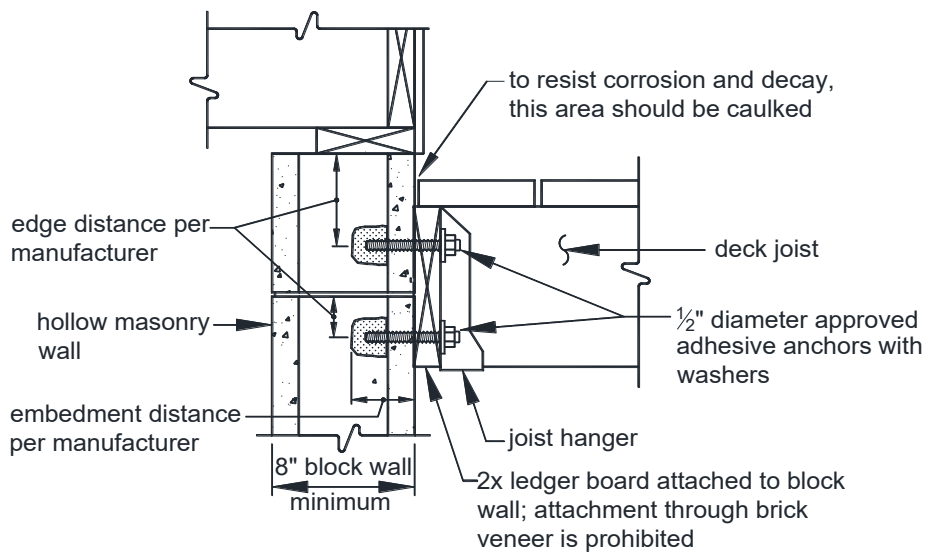
- The exterior finish, i.e., house siding, must be removed prior to the installation of the ledger board.
- Continuous flashing, as shown in FIGURE 22, is required at the ledger board when attached to wood-framed construction.



**FIGURE 22: LEDGER BOARD-TO-BAND BOARD ATTACHMENT**

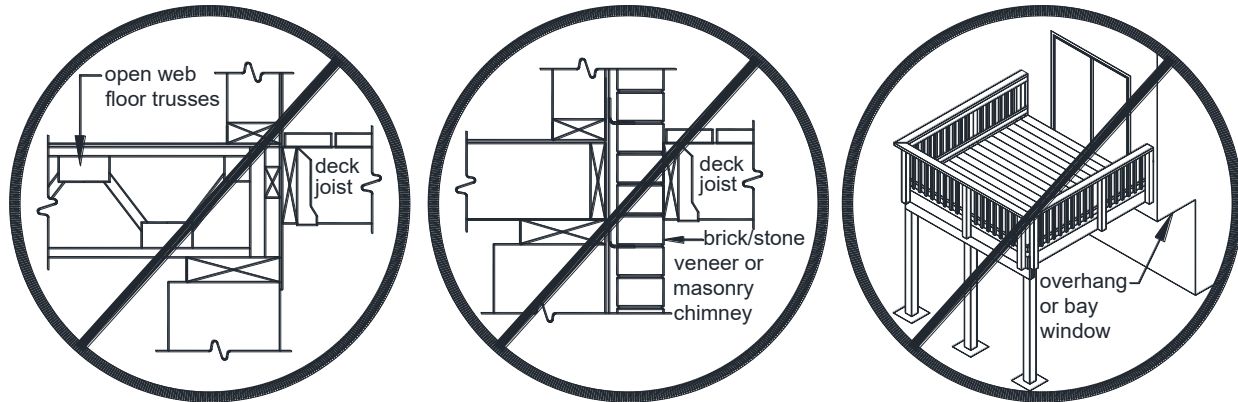


**FIGURE 23: LEDGER BOARD-TO-SOLID FOUNDATION ATTACHMENT**



**FIGURE 24: LEDGER BOARD-TO-HOLLOW FOUNDATION ATTACHMENT**

**Prohibited ledger attachments.** The ledger board attachment conditions shown below are prohibited. In such cases, a free-standing deck or engineering design is required.



**FIGURE 25: PROHIBITED LEDGER ATTACHMENTS**

## LEDGER BOARD FASTENERS

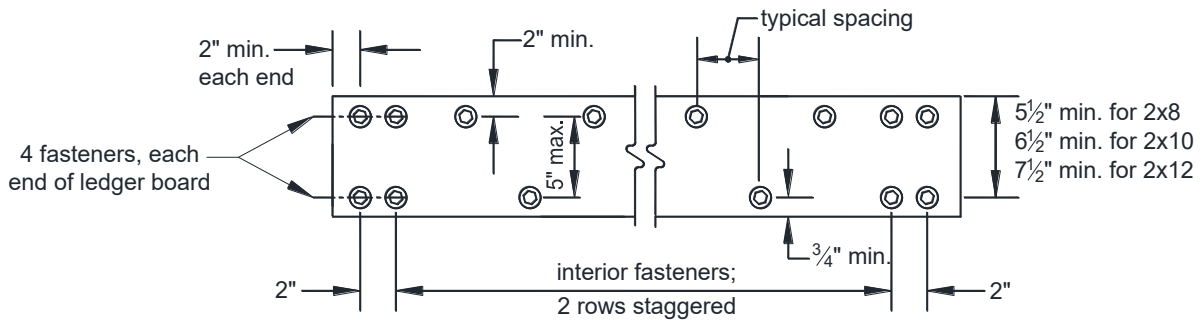
**TABLE 6: LEDGER BOARD FASTENER SPACING, INCHES ON CENTER**

Fastener	Band Board	Joist Span (feet), less than or equal to:							
		6	8	10	12	14	16	18	
Lag Screws	EWP <sup>1</sup>	24	18	14	12	10	9	8	
	2x lumber	30	23	18	15	13	11	10	
Through-Bolts	EWP <sup>1</sup>	24	18	14	12	10	9	8	
	2x lumber	36	36	34	29	24	21	19	
FastenMaster 1/4" LedgerLOK Screws <sup>2</sup>	Wood	EWP <sup>1</sup>	25	19	15	12	10	9	8
		2x lumber	24	18	14	12	10	9	8
MiTek 1/4" WS-EXT, WSWH-EXT Wood Screws <sup>2</sup>	EWP <sup>1</sup>	22	16	12	11	9	7	7	
	2x lumber	23	17	13	11	10	8	7	
Simpson Strong-Tie 1/4" SDWS Screws <sup>2</sup>	Wood	EWP <sup>1</sup>	14	10	8	7	6	5	5
		2x lumber	22	16	13	11	9	8	7
Spax 5/16" HCR PowerLags Screws <sup>2</sup>	Wood	EWP <sup>1</sup>	23	17	16	13	12	11	9
		2x lumber	30	22	18	12	10	9	8
Expansion Anchors	—	36	36	34	29	24	21	19	
Adhesive Anchors	—	32	32	32	24	24	16	16	

<sup>1</sup> EWP = 1-inch minimum manufactured engineered wood product; see Page 17 for more information.

<sup>2</sup> Wood screws shall be permitted to be spaced in accordance with its current corresponding evaluation report if less restrictive than the values in TABLE 6.

**General requirements.** Ledger board fasteners shall be installed in accordance with this section. Placement and spacing shall be in accordance with FIGURE 26 and TABLE 6. Only those fastener types noted herein are approved for use; lead anchors are prohibited. The adequacy of connections will be verified by county inspectors.



**FIGURE 26: LEDGER BOARD FASTENER SPACING AND CLEARANCES**

**Through-bolts.** Through-bolts shall have a minimum 1/2-inch diameter. Pilot holes for through-bolts shall be 17/32 to 9/16 inches in diameter. Through-bolts must be equipped with washers at the bolthead and nut. Bolts should be tightened six to 12 months after construction due to drying and wood shrinkage.

**Expansion anchors.** Expansion anchors shall be used only when attaching a ledger board to a concrete or solid masonry wall as shown in FIGURE 23. The bolt or threaded rod of expansion anchors shall have a 1/2-inch diameter minimum; in some cases, this may require a 5/8-inch anchor size. Expansion anchors must be installed per manufacturer’s instructions and shall be equipped with washers.

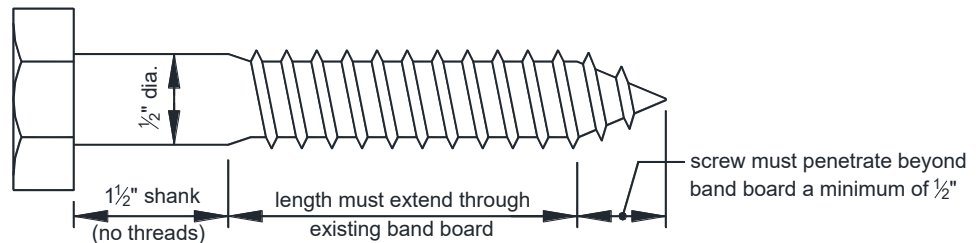
**Adhesive anchors.** The adhesive anchors listed in TABLE 7 with a minimum 1/2-inch diameter threaded rod shall be used when attaching to concrete or solid or hollow masonry as shown in FIGURE 24. Anchors shall be installed per manufacturer’s instructions and shall be equipped with washers. Adhesive cartridges must remain on the jobsite for inspector verification.

**TABLE 7: APPROVED ADHESIVE ANCHORS**

Manufacturer	Product
Red Head	Epcon A7+
Hilti	HY-270

**Lag screws.** Lag screws shall be hot-dipped galvanized or stainless steel with a 1/2-inch minimum diameter. Length and shank requirements shall be in accordance with FIGURE 27. Lag screws shall be equipped with washers and installed in the sequence below.

1. Drill a 1/2-inch diameter hole in the ledger board and a 5/16-inch diameter pilot-hole into the solid connection material of the existing house.
2. Insert the lag screw through the ledger board and into the pilot hole by turning. Do not drive with a hammer. Use soap or a wood-compatible lubricant as required to facilitate tightening.
3. Tighten each lag screw snugly, but do not over tighten to cause wood damage.



**FIGURE 27: LAG SCREW**

**Wood screws.** The wood screws listed in TABLE 6 may be used to attach to wood-framed construction. Wood screws shall have a sufficient length to fully penetrate the existing house band board. Installation shall be in conformance with the manufacturer's instructions.

# 7 • Lateral Support

## BRACING METHODS

All decks with post heights greater than 2.5 feet are required to be designed to resist lateral load caused by human activity and environmental forces. Use TABLE 8 to determine the applicable methods based on post height and deck type as defined in Section 3.

**TABLE 8: LATERAL SUPPORT REQUIREMENTS**

Post Height (feet) less than or equal to:	Single Span Decks	Multi-span Decks	Free-standing Decks
2.5	None required	None required	None required
11	<ul style="list-style-type: none"> <li>• Method 1 or</li> <li>• Method 2</li> </ul>	<ul style="list-style-type: none"> <li>• Method 2<sup>1</sup></li> </ul>	<ul style="list-style-type: none"> <li>• Method 2<sup>1</sup> and</li> <li>• Method 3</li> </ul>
14	<ul style="list-style-type: none"> <li>• Method 1 and</li> <li>• Method 2</li> </ul>	<ul style="list-style-type: none"> <li>• Method 1 and</li> <li>• Method 2</li> </ul>	<ul style="list-style-type: none"> <li>• Method 1,</li> <li>• Method 2 and</li> <li>• Method 3</li> </ul>

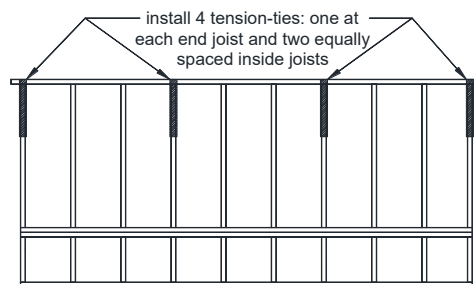
<sup>1</sup> Method 2 may be omitted from the beam closest to the existing house wall if Method 1 is utilized at the house connection.

### Method-1, Tension-ties (four total):

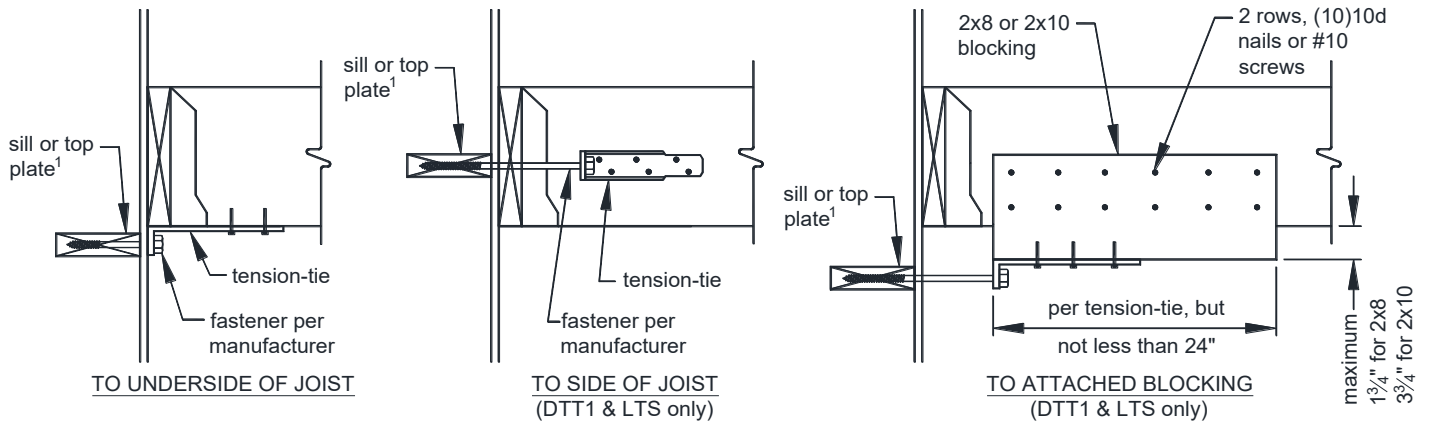
- Install one tension-tie at each end joist and install the remaining two to inside joists equally spaced along the width of the deck as shown in FIGURE 28. A set of tension ties shall be installed for each structurally independent section of the deck.
- Tension-ties shall be attached to the joists and exterior wall per the manufacturer's instructions with specified fasteners as shown in FIGURE 29. Fasteners shall penetrate a minimum of 3 inches into the sill plate or top plate of a wood framed wall.
- Approved tension-ties are listed in TABLE 9. The minimum capacity of each tension-tie shall be 750 pounds.
- Where attaching to a concrete or solid masonry wall, fasteners are permitted to be substituted with expansion anchors or adhesive anchors with a threaded rod as recommended by the tension-tie manufacturer. The withdrawal capacity of the anchors shall be a minimum of 750 pounds. The anchor shall be installed per its manufacturer recommendation.

**TABLE 9: APPROVED TENSION-TIES**

Manufacturer	Product
FastenMaster	LTS
Simpson Strong-Tie	DTT1Z
MiTek	LTS19-TZ
MiTek	ADTT-TZ



**FIGURE 28: METHOD 1 - TENSION TIE LOCATIONS**

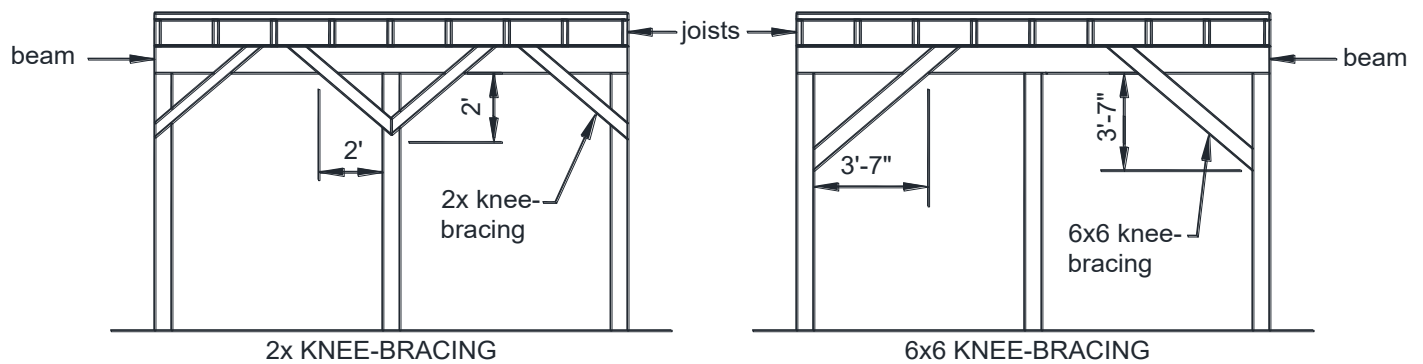


<sup>1</sup> Tension-ties may be anchored to concrete or solid masonry walls with expansion or adhesive anchors as permitted on Page 22.

**FIGURE 29: METHOD 1 - TENSION-TIE CONNECTION**

**Method-2, Knee-bracing at beam:**

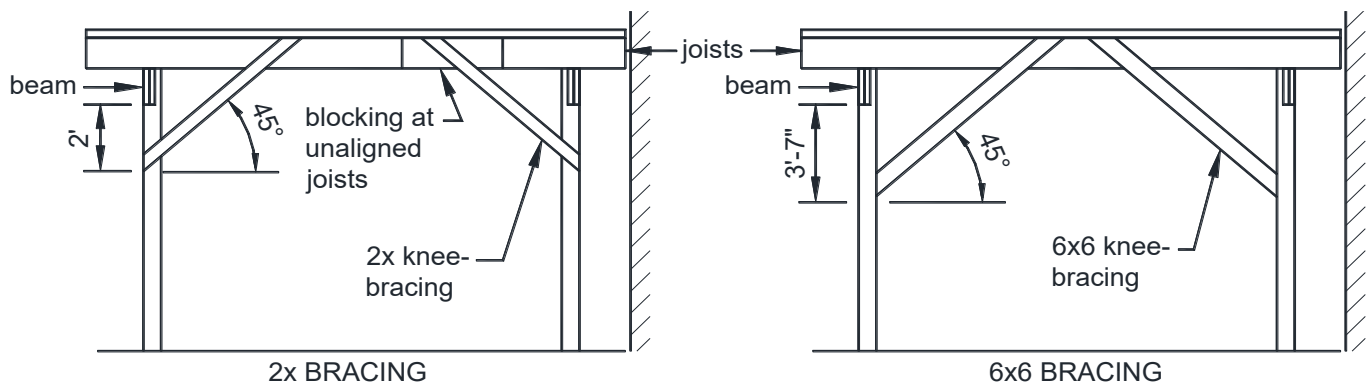
- Knee-bracing shall be comprised of 2x6 or 6x6 members.
- Decks shall have 2x6 knee-bracing installed at each post-beam location or 6x6 knee-bracing at end posts and both sides of every other interior post in accordance with FIGURE 30.
- Connections of knee-bracing shall be in accordance with FIGURE 32 or 33.



**FIGURE 30: METHOD 2 - KNEE-BRACING AT BEAM-POST LOCATIONS**

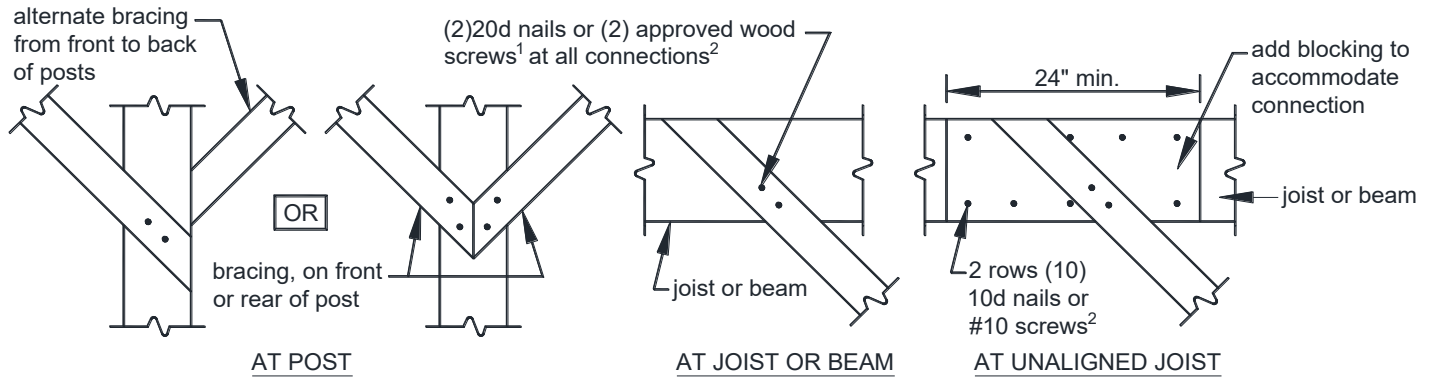
**Method-3, Knee-bracing at joists-post locations (free-standing decks only):**

- Knee-bracing shall be comprised of 2x6 or 6x6 members.
- Knee-bracing shall be installed at each post-joist location in accordance with FIGURE 31.
- Connections of knee-bracing shall be in accordance with FIGURE 32 or 33.



**FIGURE 31: METHOD 3 - KNEE-BRACING AT JOIST-POST LOCATIONS**

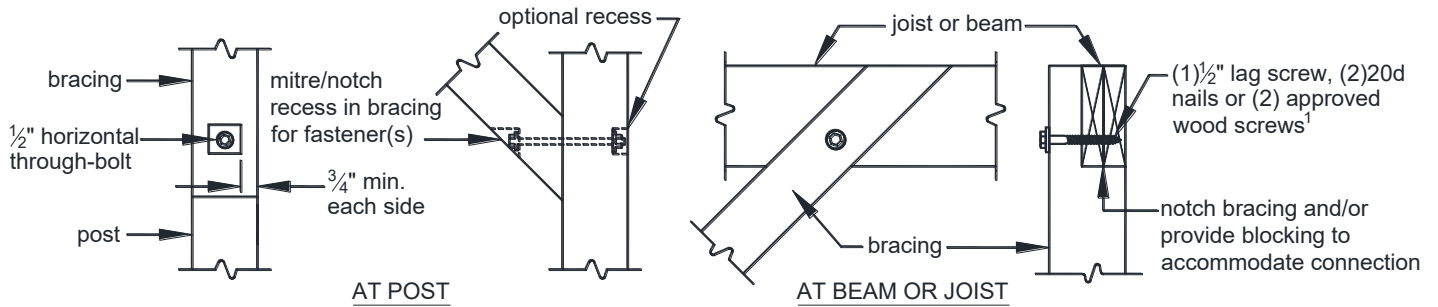
## BRACING-TO-FRAMING CONNECTIONS



<sup>1</sup> Approved wood screws are listed in **Error! Reference source not found.**

<sup>2</sup> Nails shall have a distance of  $\frac{3}{8}$  inches to all edges and  $\frac{7}{8}$  inches to ends of the bracing member.

**FIGURE 32: TYPICAL CONNECTIONS OF 2x KNEE-BRACING**



<sup>1</sup> Approved wood screws are listed in **Error! Reference source not found.**

**FIGURE 33: TYPICAL CONNECTIONS OF 6x6 KNEE-BRACING**

# 8 - Guards

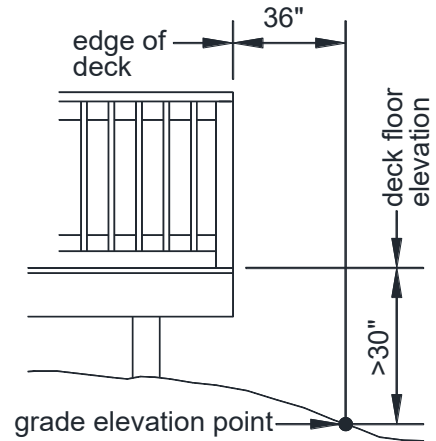
## GUARD CONSTRUCTION

A guard is required when a deck is greater than 30 inches above grade at a point 36 inches from the edge of the deck, as shown in FIGURE 34. Guards shall be constructed in accordance with the requirements herein; deviations are prohibited. Guards which are not required, but are nevertheless provided, must also comply with these requirements.

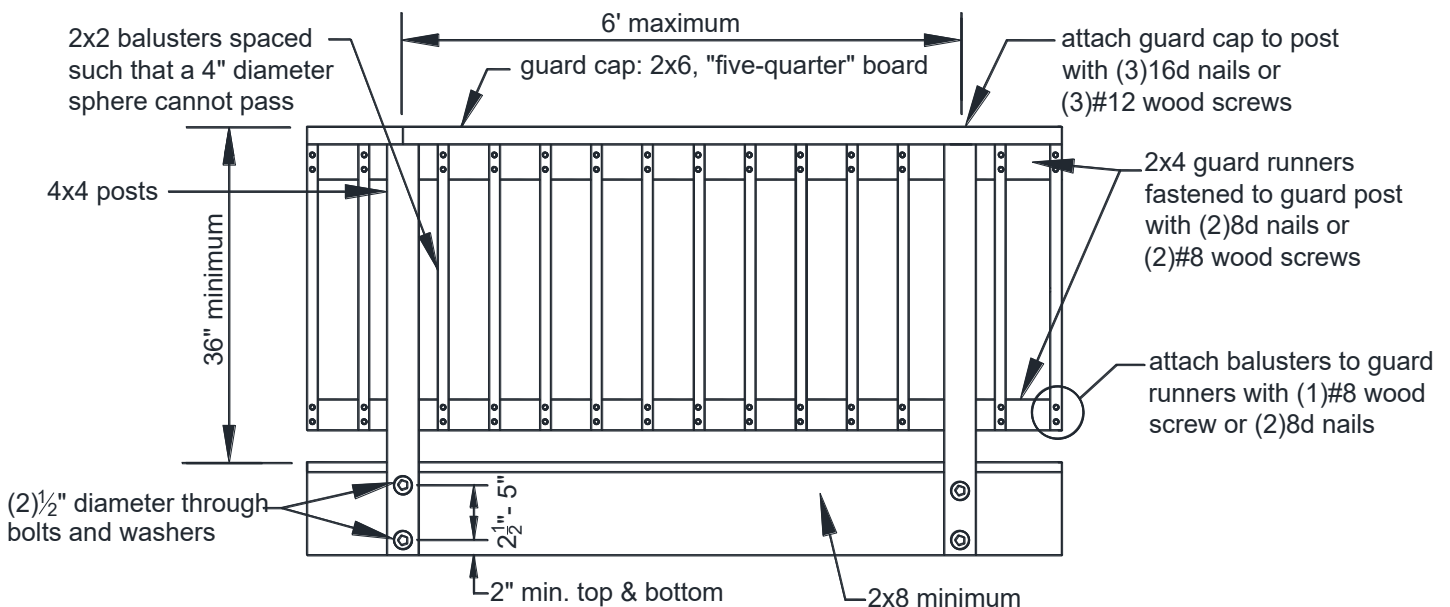
**Plastic composites.** Plastic composites of equal dimension and complying with the criteria noted on Page 3 may be substituted for the guard cap and infill elements shown in FIGURE 35 provided the manufacturer's performance criteria specifically permit such use.

**Guard systems.** Guard systems with a valid evaluation report from an accredited listing agency are permitted as referenced on Page 3. Prefabricated systems without an evaluation report or an evaluation report that does not address the attachment to the deck will require a plan review during the permit application process.

**Openings.** Guards shall be constructed to restrict the passage of a 4-inch diameter sphere through any opening. Wet lumber shall be spaced such that when shrinkage occurs, a compliant opening is maintained.



**FIGURE 34: WHEN A GUARD IS REQUIRED**

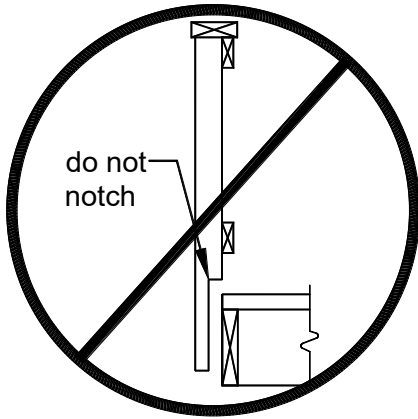


**FIGURE 35: GUARD CONSTRUCTION**

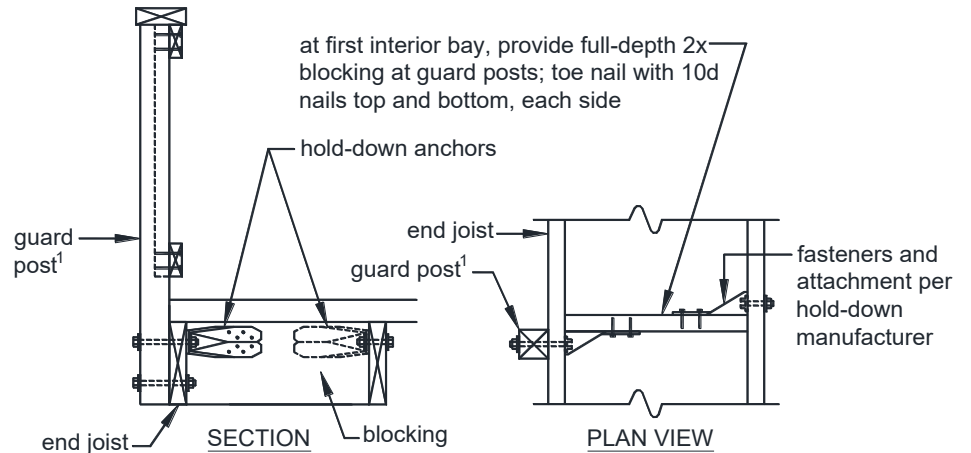
## GUARD POST CONNECTION

Guard posts shall be attached to the deck structure in accordance with the requirements below in order to ensure resistance to imposed loads.

- Notching guard posts, as shown in FIGURE 36, is prohibited.
- Hold-down anchors, as shown in FIGURE 37 and FIGURE 38, shall be used to attach the guard post to the end joist and rim joist, respectively.
- Hold-down anchors shall have a minimum capacity of 1,800 pounds.
- Guards may be attached to either side of the rim joist or end joist.

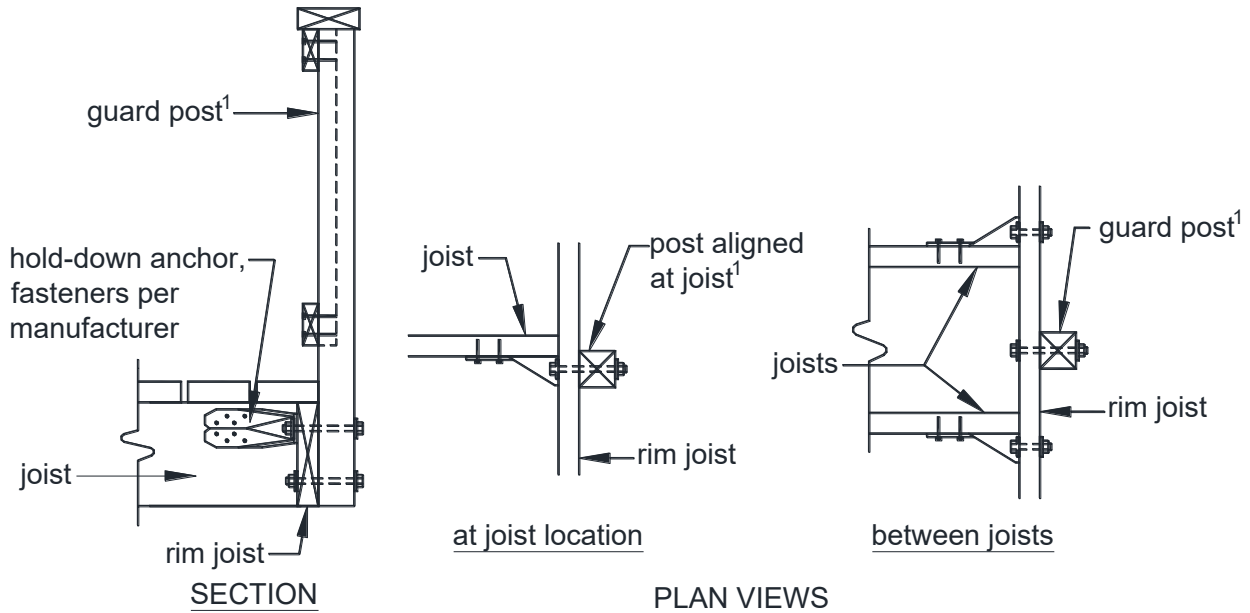


**FIGURE 36: POST NOTCHES PROHIBITED**



<sup>1</sup> Guards can be attached to either side of the end joist.

**FIGURE 37: GUARD POST-TO-END JOIST**



<sup>1</sup> Guards can be attached to either side of the rim joist.

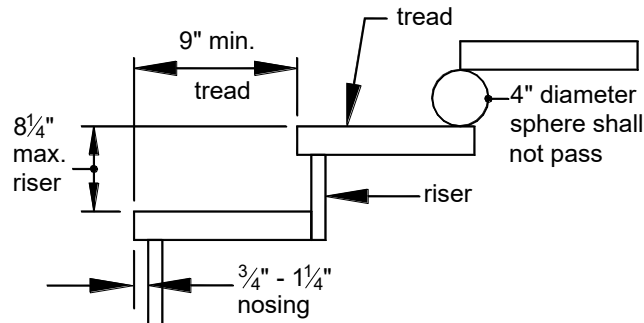
**FIGURE 38: GUARD POST-TO-RIM JOIST**

# 9 - Stairs

## STAIR GEOMETRY

Stairs shall be constructed with the dimensions listed below.

- The minimum width of a stairway is 36 inches.
- Stair geometry and opening limitations shall meet the requirements shown in FIGURE 39. Treads, risers and nosing dimensions shall not deviate at each step by more than  $\frac{3}{8}$  inches.



**FIGURE 39: TREADS AND RISERS**

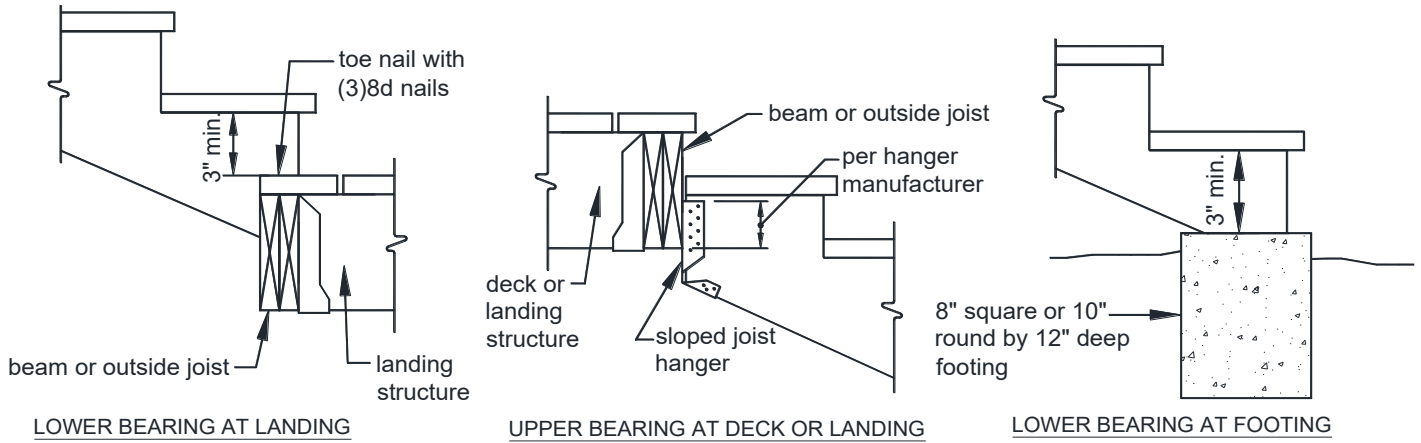
## STAIR LANDING

- If the total vertical height of a stairway exceeds 12 feet, then an intermediate landing is required and must be constructed as a free-standing deck.
- Stair landings may be constructed with 4x4 posts with post heights no greater than 8 feet.
- Landing widths shall be equal to the total width(s) of the stairway(s) served.

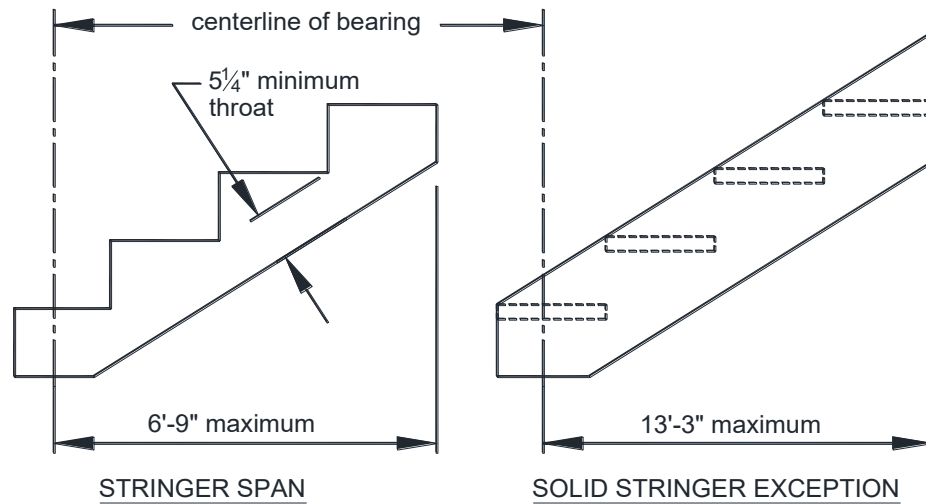
## STAIR CONSTRUCTION

### Stair stringers:

- Stringers shall be sawn or solid 2x12s complying with the tread and riser geometry requirements.
- Stringers shall be spaced at a maximum of 18 inches on center. **Note: If using composite decking stringer spacing may be significantly reduced. Refer to the decking installation instructions for allowable spacing.**
- Each Stringer shall bear on footings and attach to the deck or landing per FIGURE 40.
- Stringer span length is measured using the horizontally projected distance between the bearing at each end and shall not exceed the dimensions shown in FIGURE 41.  
**SOLID STRINGER EXCEPTION:** Solid stringers of stairways with a width equal to 36 inches shall be permitted to have a span as shown in FIGURE 41.
- Throat size of cut stringers shall not exceed the value shown in FIGURE 41.



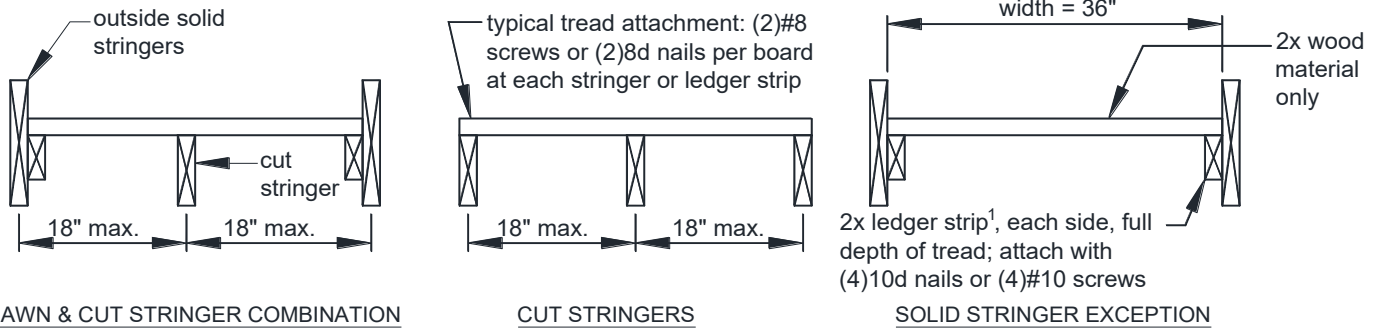
**FIGURE 40: STRINGER BEARING**



**FIGURE 41: MAXIMUM STRINGER SPAN LENGTH**

**Tread and riser material:**

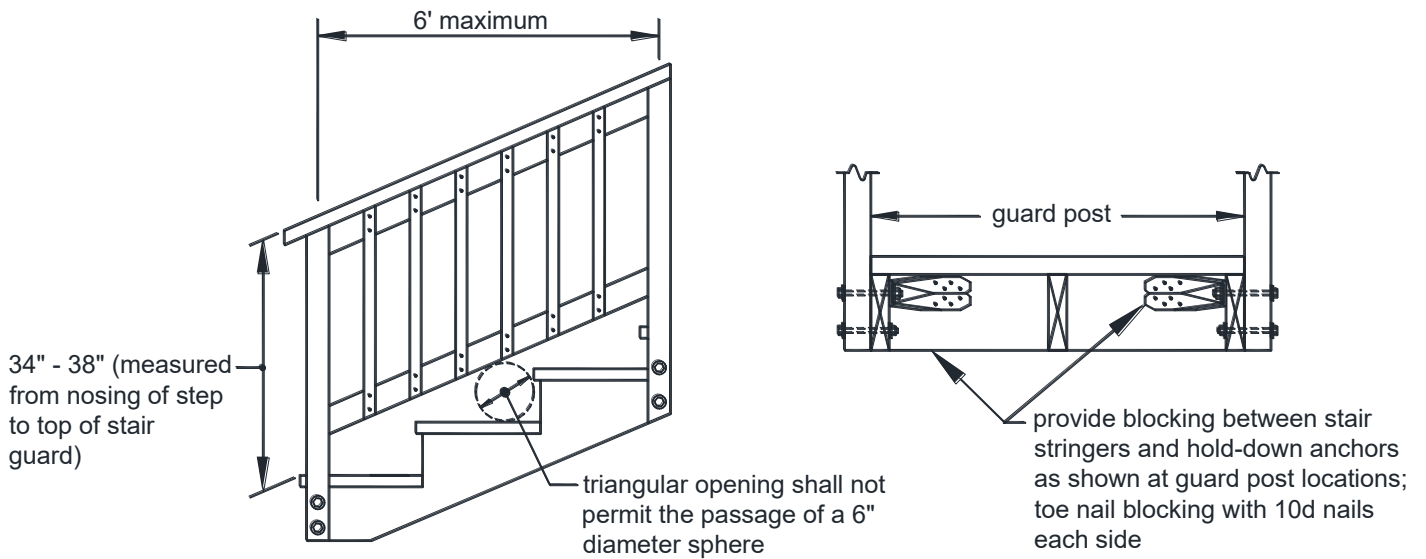
- Tread material shall be equivalent to the decking specified on Page 5 and attached in accordance with FIGURE 42. The span of plastic composites shall be per manufacturer and in some cases may be less than 18 inches specified in FIGURE 42.
- Stairs constructed using the solid stringer exception shall have treads constructed of 2x wood material only; see FIGURE 42.
- Risers may be framed with 1x lumber minimum or equivalent plastic composite. Open risers are permitted provided the opening does not allow the passage of a 4-inch diameter sphere.



<sup>1</sup> A galvanized staircase clip angle, installed per manufacturer's instructions, is permitted to substitute for the 2x ledger strip.

**FIGURE 42: STRINGER TREADS**

**Stair guards.** Stair guards are required when the total rise of the stair is greater than 30 inches at a point 36 inches from the edge of the stair. Stair guards shall be constructed in accordance with Section 8 and FIGURE 43.

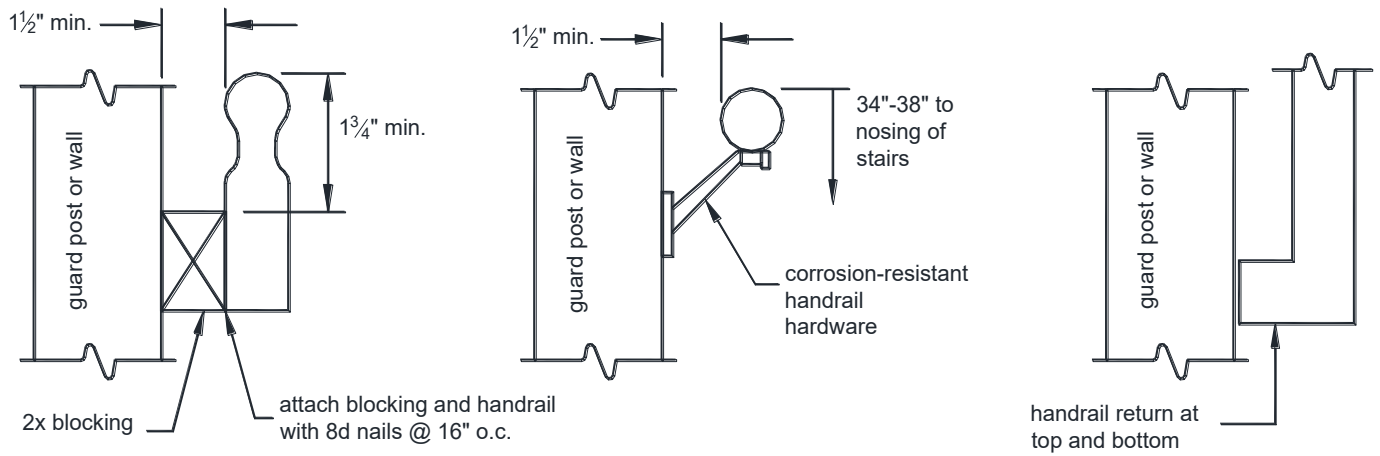


**FIGURE 43: STAIR GUARD**

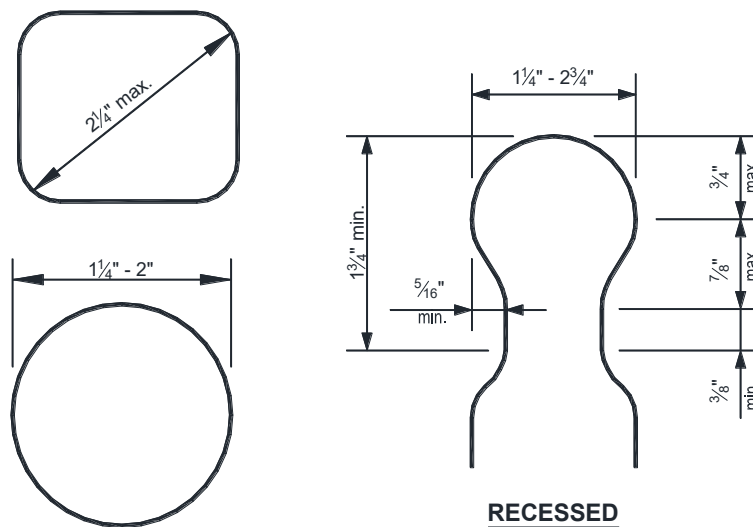
**Handrails:**

- Stairs with four or more risers shall have a handrail on one side at a height between 34 to 38 inches above the nosing of the step.
- Handrails shall be attached to a stair guard or exterior wall acting as a barrier as shown in see FIGURE 44.
- Handrail and connecting hardware material shall be decay and corrosion resistant.
- Handrails shall have a smooth surface with no sharp corners and shall be graspable. Recessed sections may be shaped from a 2x6 or five-quarter board as shown in FIGURE 45.
- Handrails shall run continuously from a point directly over the lowest riser to a point directly over the highest riser and shall return to the guard or wall at each end.
- Handrails may be interrupted by guard posts at a turn in the stair only.

- Handrails installed in lieu of window safety glazing, as required on Page 6, shall be supported at appropriate intervals to ensure that when a 50-pound load is applied, the rail does not deflect into the glass.



**FIGURE 44: HANDRAILS**



**FIGURE 45: HANDRAIL GRASPABILITY**

# 10 - Complete My Deck

Prior to construction, design the specifics of your deck and complete the information required below. **This information shall be available to the inspector at each inspection.**

1. Complete the design details of your deck below.

**DECKING:** size:  2x4/2x6  five-quarter board direction:  angled  perpendicular  
material:  preservative-treated lumber  plastic composite  non-native lumber  PVC  
attachment:  direct to joists  hidden fasteners and supplemental joist bracing

**JOIST 1:** size:  2x6  2x8  2x10  2x12 spacing:  12 in.  16 in.  24 in.  
longest span: \_\_\_ ft. - \_\_\_ in. overhang: \_\_\_ ft. - \_\_\_ in.  
rim joist:  2x6  2x8  2x10  2x12  not applicable

**JOIST 2:** size:  2x6  2x8  2x10  2x12 spacing:  12 in.  16 in.  24 in.  
longest span: \_\_\_ ft. - \_\_\_ in. overhang: \_\_\_ ft. - \_\_\_ in.  
rim joist:  2x6  2x8  2x10  2x12  not applicable

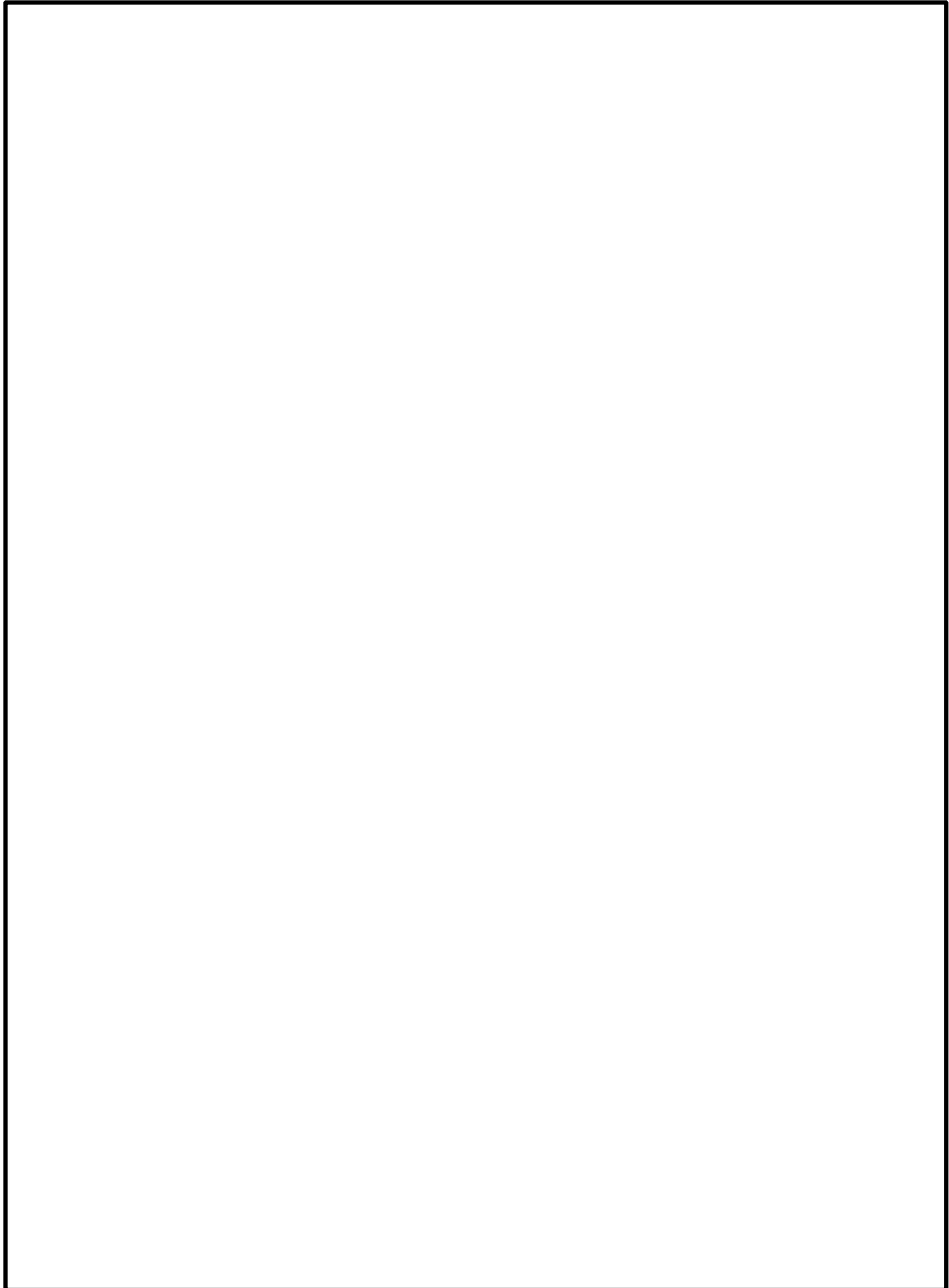
**BEAM 1:** plies:  2  3 size:  2x6  2x8  2x10  2x12  
influence width: \_\_\_ ft. - \_\_\_ in. longest span: \_\_\_ ft. - \_\_\_ in. overhang: \_\_\_ ft. - \_\_\_ in.  
footing size: \_\_\_ in.  square  round thickness: \_\_\_ in.  
post size:  4x4  6x6 post height: \_\_\_ ft. - \_\_\_ in.

**BEAM 2:** plies:  2  3 size:  2x6  2x8  2x10  2x12  
influence width: \_\_\_ ft. - \_\_\_ in. longest span: \_\_\_ ft. - \_\_\_ in. overhang: \_\_\_ ft. - \_\_\_ in.  
footing size: \_\_\_ in.  square  round thickness: \_\_\_ in.  
post size:  4x4  6x6 post height: \_\_\_ ft. - \_\_\_ in.

**LEDGER BOARD:** size:  2x8  2x10  2x12  not applicable (free-standing deck)  
fastener:  through-bolt  lag screw  expansion anchor  adhesive anchor  wood screw  
spacing: \_\_\_ in.

**LATERAL SUPPORT** (check all that apply):  Method 1  Method 2  Method 3

2. In the box below, sketch your deck. Ensure beam and post locations and corresponding dimensions are shown. Show your deck's overall length and width and any other necessary dimensions.



## ***INSPECTIONS***

You are required to obtain inspections from the town for your deck. Please review the following when requesting an inspection. The approved building plans must be on the jobsite.

➤ **Required inspections:**

- ✓ Footing: footing holes are dug, and ledger board is attached.
- ✓ Framing: posts, beams and joists are installed (before the decking is installed). This step may be omitted if the bottom of the joists are located more than 48” above grade and all framing connections can be seen at the final inspection.
- ✓ Final: All remaining items are installed.

➤ **If required, ladders must be provided to the inspector.**

➤ **Before you dig, call Miss Utility at 811, TTY 711.**

➤ **Schedule your inspection using the following options:**

- ✓ By email, [buildinginspections@herndon-va.gov](mailto:buildinginspections@herndon-va.gov)
- ✓ Staff assisted, via telephone during the hours of 8:00am – 4:30pm. 703-435-6850